
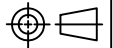


PROPRIETARY NOTE:
This document contains confidential information and proprietary to Rego Electronics and shall not be reproduced or disclosed to other documents or used for any purpose other than that for which was obtained without the expressed written consent of Rego Electronics.

.X ± 0.38	APPROVED: Chris	 http://www.rego.com.tw
.XX ± 0.25	CHECKED: Andy	
.XXX ± 0.15	DRAWN: Vic	
X* ± 3*		TITLE: HDMI2.1 Vertical SMD Type Connector H:8.5mm
	UNITS: mm	SCALE: NONE
		PART NO: RG9913-11107B-48B0
		SHEET: 1 OF 2

4	COVER	1	LCP BLACK	(UL94V-0)
3	SHELL	1	C2680	NICKEL PLATED
2	TERMINAL	19	C2680	AU/NI PLATED
1	HOUSING	1	LCP BLACK	(UL94V-0)
No.	PART NAME	QTY	MATERIAL	REMARK

0	15.11.2022
REV	DATE

1 2 3 4 5 6 7 8 9 10

A

B

C

D

E

F

A

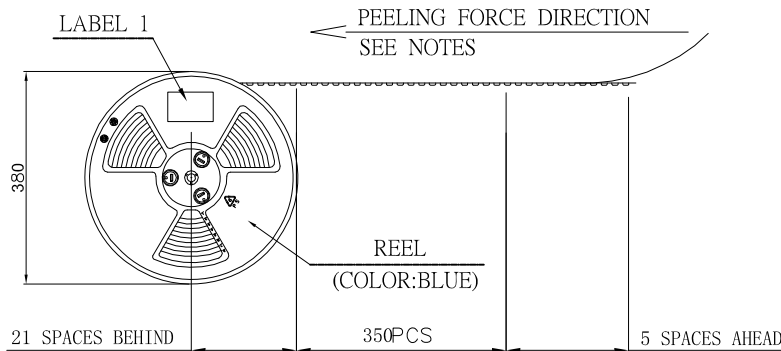
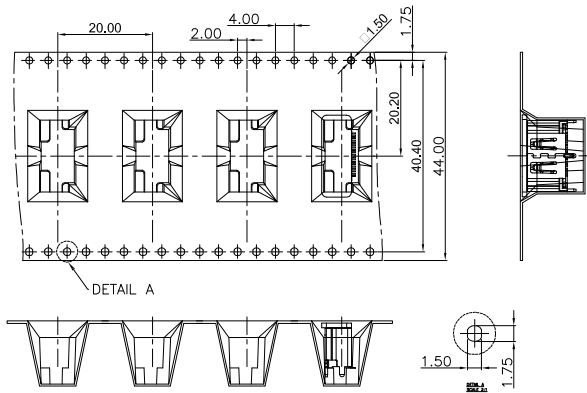
B

C

D

E

F



NOTES:

1. DIMENSION:

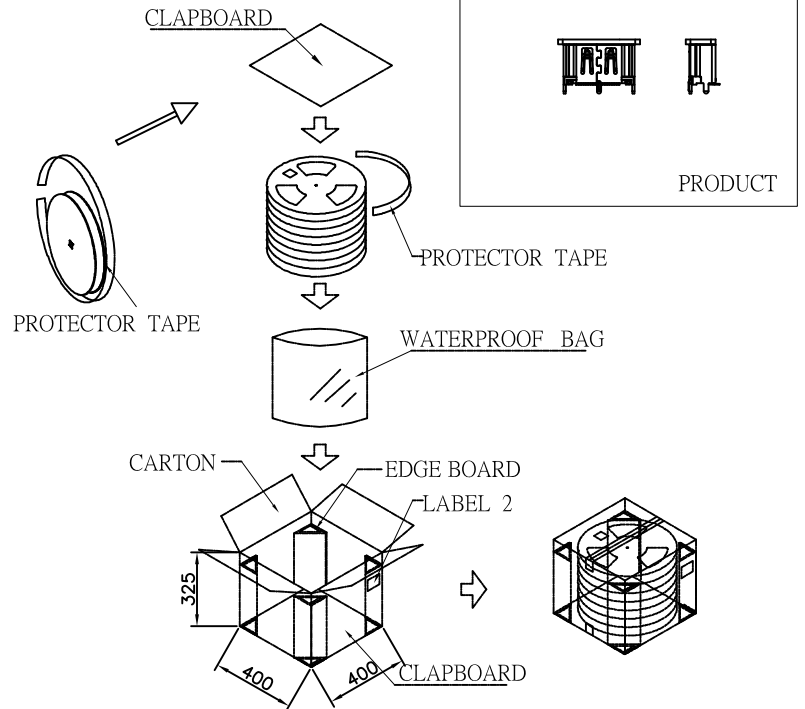
CARTON: 400*400*325mm,K=K. (1PCS)


2. QUANTITY:

350 PCS/REEL

6 REELS/SHIPPING CARTON

2100 PCS/SHIPPING CARTON



<p>PROPRIETARY NOTE: This document contains confidential information and proprietary to Rego Electronics and shall not be reproduced or disclosed to other documents or used for any purpose other than that for which was obtained without the expressed written consent of Rego Electronics.</p>		
.X ± 0.38	APPROVED: Chris	 http://www.rego.com.tw
.XX ± 0.25	CHECKED: Andy	
.XXX ± 0.15	DRAWN: Vic	
X° ± 3°	UNITS: mm	SCALE: NONE
<p>TITLE: HDMI2.1 Vertical SMD Type Connector H:8.5mm</p>		<p>PART NO: RG9913-11107B-48B0</p>
<p>SHEET: 2 OF 2</p>		

0	15.11.2022
REV	DATE

1 2 3 4 5 6 7 8 9 10