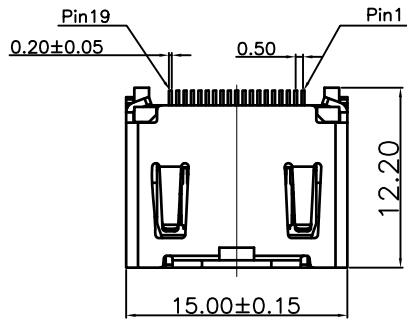


1 2 3 4 5 6 7 8 9 10

A



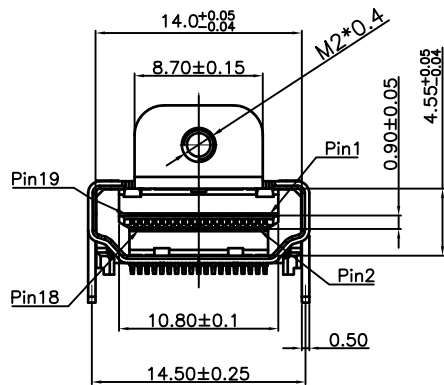
B

SPECIFICATIONS:

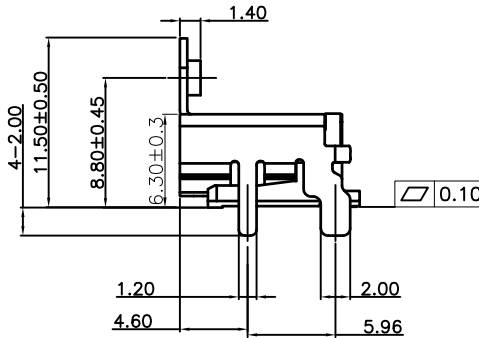
1. ELECTRICAL CHARACTERISTICS
 - 1-1. CURRENT RATING: 0.5 AMP
 - 1-2. VOLTAGE RATING: 40 V
 - 1-3. CONTACT RESISTANCE: 30MILLIOHMS MAX
 - 1-4. INSULATION RESISTANCE: 100M MIN. @ 500V DC
 - 1-5. DIELECTRIC WITHSTANDING VOLTAGE: 500V AC FOR 1 MINUTE
2. MECHANICAL CHARACTERISTICS:
 - 2-1. INSERTION FORCE : 4.5KGF MAX.
 - 2-2. WITHDRAWING FORCE : 1KGF ~ 4KGF.
3. LIFE TEST: 10000 CYCLES
4. OPERATING TEMPERATURE: -25°C TO +85°C

C	SHELL	1	C2680R-H Ni 50u" T=0.5mm PLATING ALL OVER
B	TERMINAL	19	C2680R-H SEE PART NO.
A	HOUSING	1	LCP E130i UL94V-0 BLACK
NO	PART NAME	QTY	MATERIAL PLATING & COLOR

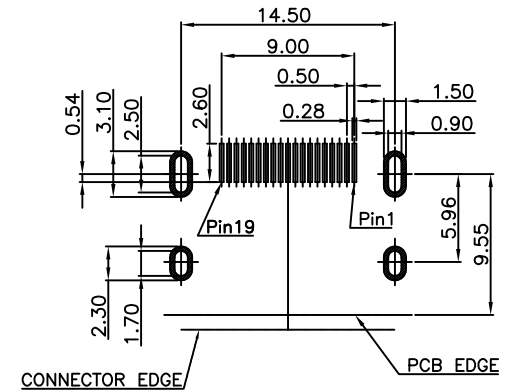
C



D



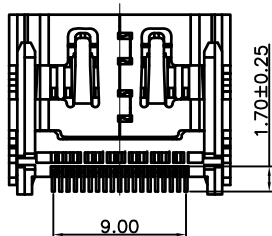
E



RECOMMENDED PCB LAYOUT (TOP VIEW)

TOLERANCE: ±0.05mm

F


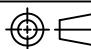


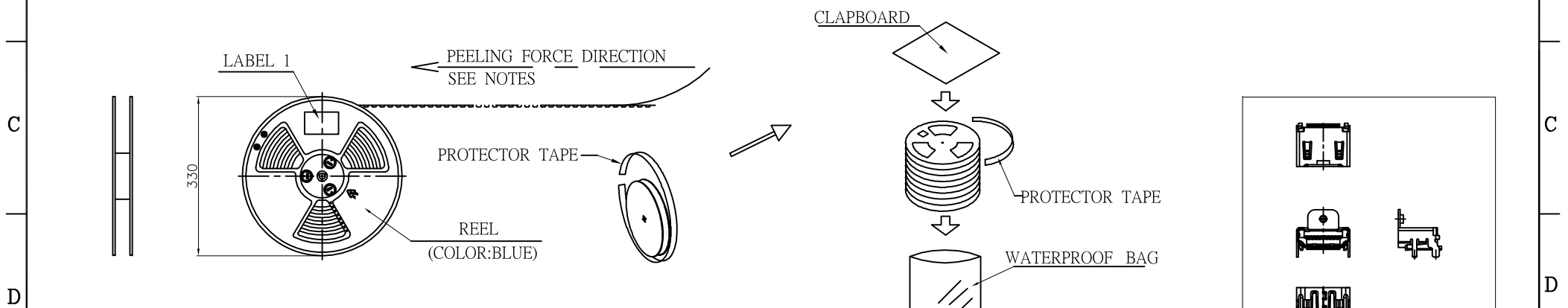
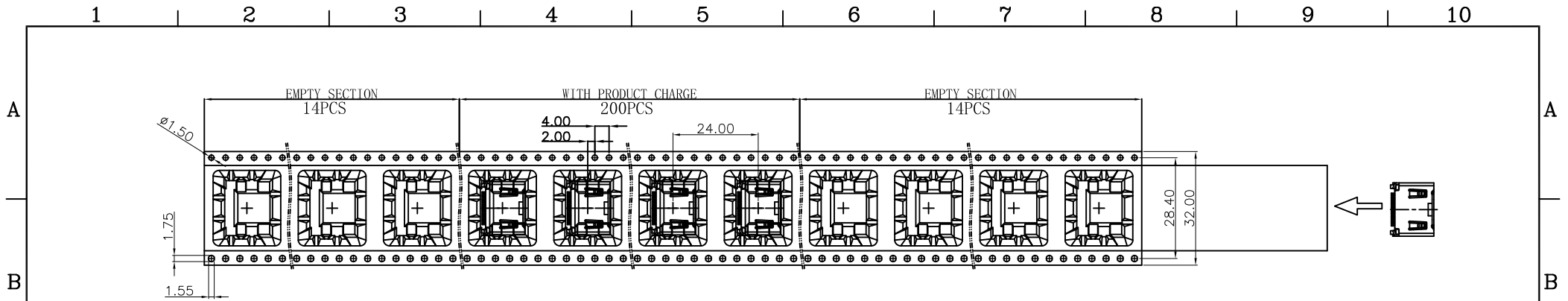
0	22.1.2021
REV	DATE

1 2 3 4 5 6 7 8 9 10

PROPRIETARY NOTE:

This document contains confidential information and proprietary to Rego Electronics and shall not be reproduced or disclosed to other documents or used for any purpose other than that for which was obtained without the expressed written consent of Rego Electronics.

.X ±0.35	APPROVED:	 http://www.rego.com.tw
.XX ±0.25	Chris	
.XXX ±0.15	CHECKED:	
X* ± 3*	Andy	
	DRAWN:	TITLE: HDMI 2.1 A Type Female SMD Type With Flange
	Vic	
UNITS:	SCALE:	PART NO: RG9918-117A10-A2B0 SHEET: 1 OF 2
mm	NONE	



NOTES:

1. DIMNSION:


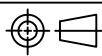
- CARTON: 350*350*390mm,K=K. (1PCS)
- EDGE BOARD: 340*310mm (4PCS)
- CLAPBOARD: 330*330mm (2PCS)

2. QUANTITY:

- 200 PCS/REEL
- 10 REELS/SHIPPING CARTON
- 2000 PCS/SHIPPING CARTON

0	22.1.2021
REV	DATE

PROPRIETARY NOTE:
 This document contains confidential information and proprietary to Rego Electronics and shall not be reproduced or disclosed to other documents or used for any purpose other than that for which was obtained without the expressed written consent of Rego Electronics.

.X ±0.35	APPROVED: Chris	 http://www.rego.com.tw
.XX ±0.25	CHECKED: Andy	
.XXX±0.15	DRAWN: Vic	
X' ± 3'		
	UNITS: mm	SCALE: NONE
	TITLE: HDMI 2.1 A Type Female SMD Type With Flange PART NO: RG9918-117A10-A2B0 SHEET: 2 OF 2	