

1 2 3 4 5 6 7 8 9 10

RECOMMENDED P.C.B LAYOUT (COMPONENT SIDE)  
 P.C.B THICKNESS=1.00mm (tolerance=±0.05)

A

B

C

D

E

F

A

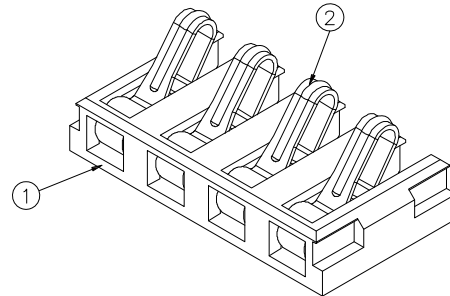
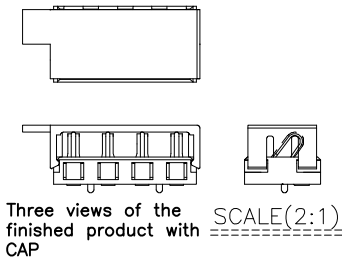
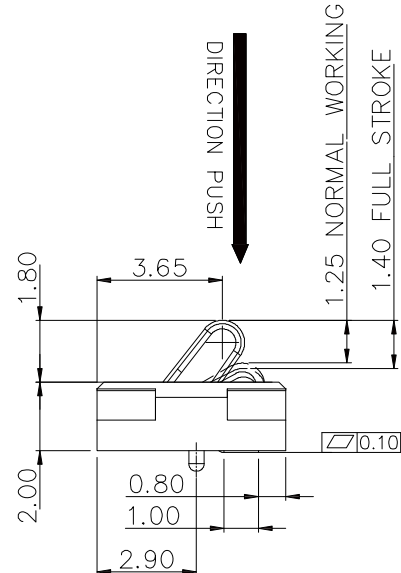
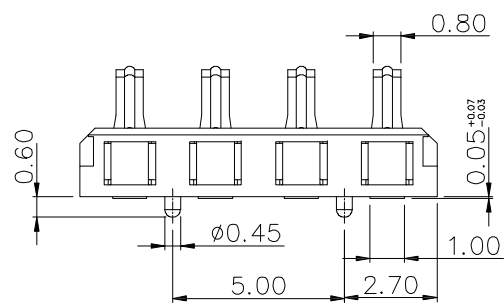
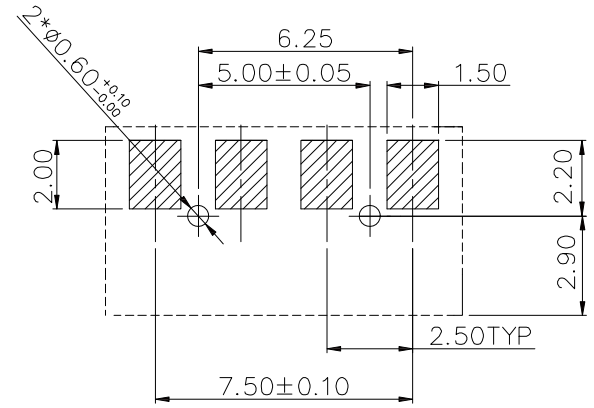
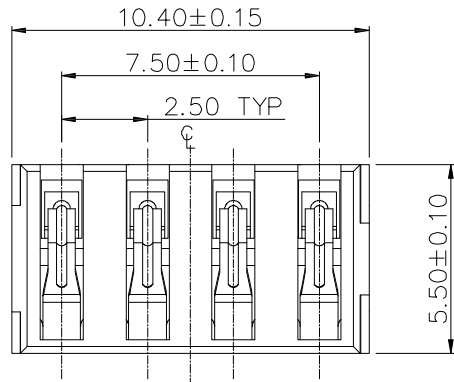
B

C

D



E

F



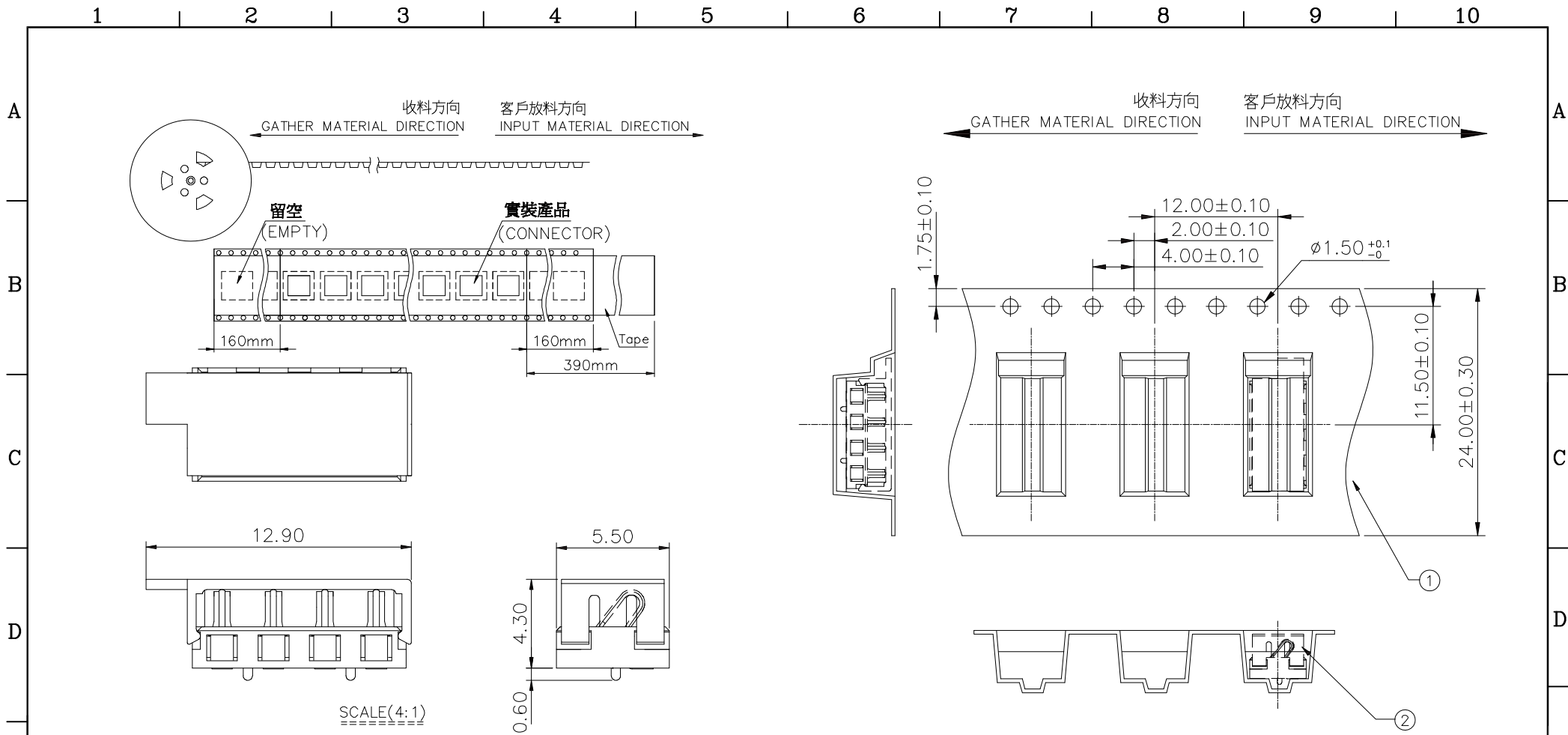
3				
2	TERMINAL	COPPER ALLOY	—	GOLD WATER FLASH
1	HOUSING	HIGH TEMP.PLASTIC	BLACK	UL 94V-0
NO.	DESCRIPTION	MATERIAL	COLOR	REMARK

PROPRIETARY NOTE:  
 This document contains confidential information and proprietary to Rego Electronics and shall not be reproduced or disclosed to other documents or used for any purpose other than that for which was obtained without the expressed written consent of Rego Electronics.

.X ± 0.30	APPROVED:	 <a href="http://www.rego.com.tw">http://www.rego.com.tw</a>	
.XX ± 0.20	CHECKED: Chris		
.XXX ± 0.15	ANDY		
X* ± 3'	DRAWN: Vic	TITLE: 2.50mm PITCH BATTERY CONNECTOR	
	UNITS: mm	SCALE: NONE	PART NO: RG250043-MA004G301ZR
			SHEET: 1 OF 2

PO	27.7.2009
REV	DATE

1 2 3 4 5 6 7 8 9 10



NOTE: ALL DIMENSIONS TOLERANCE ARE:  
 1.  $\pm 0.25\text{mm}$  UNLESS OTHERWISE NOTED  
 2. COMPONENT LOAD BY 13" REEL.  
 3. THE OUTER CARTON USED FOR PACKING IS: OC0137


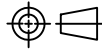
PACKAGE INFORMATION

PART NUMBER	Q'TY PER REEL	PACKING TRAY IN ONE OUTER CARTON	Q'TY PER BOX
RG250043-MA004G301ZR	980 PCS	13 R	12740 PCS

NO.	DESCRIPTION	MATERIAL	COLOR	REMARK
3				
2	PRODUCT			RG250043-MA004G301ZR
1	REEL	PS	BLACK	IPRO402-004-01

PROPRIETARY NOTE:

This document contains confidential information and proprietary to Rego Electronics and shall not be reproduced or disclosed to other documents or used for any purpose other than that for which was obtained without the expressed written consent of Rego Electronics.

.X $\pm 0.30$	APPROVED: Chris	 <a href="http://www.rego.com.tw">http://www.rego.com.tw</a>
.XX $\pm 0.20$	CHECKED: Andy	
.XXX $\pm 0.15$	DRAWN: Vic	
X* $\pm 3$		
	UNITS: mm	SCALE: NONE
TITLE: 2.50mm PITCH BATTERY CONNECTOR		PART NO: RG250043-MA004G301ZR
SHEET: 2		OF 2

PO	27.7.2009
REV	DATE