

1 2 3 4 5 6 7 8 9 10

A

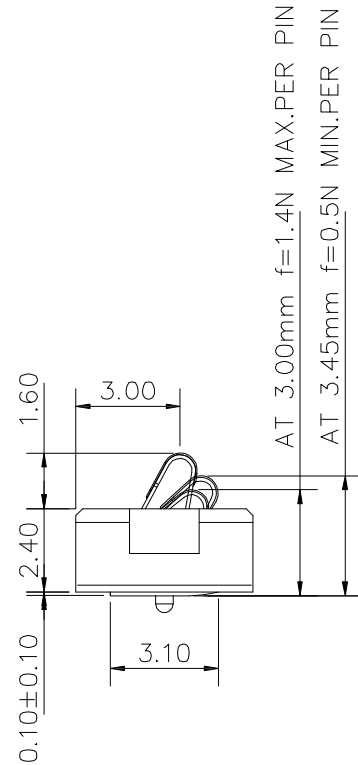
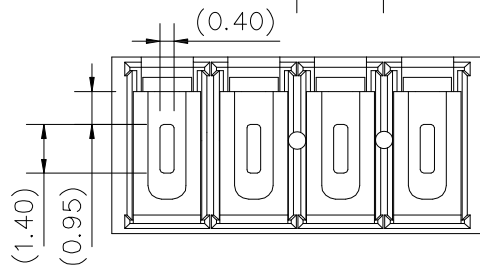
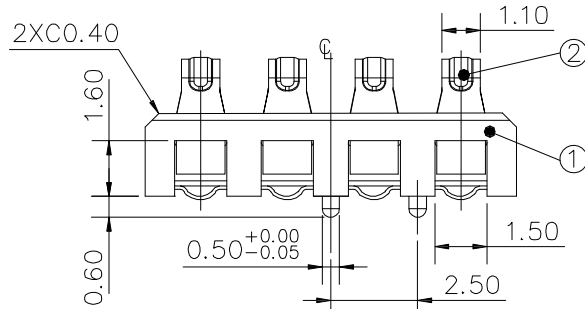
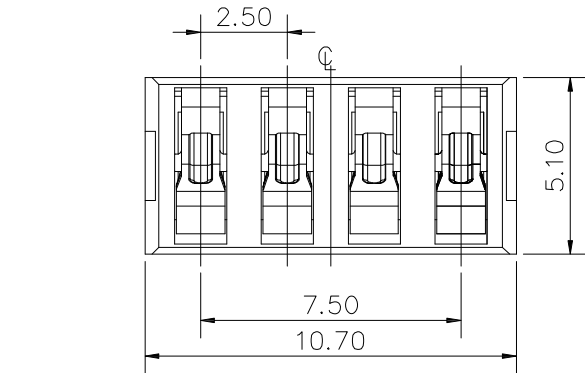
B

C

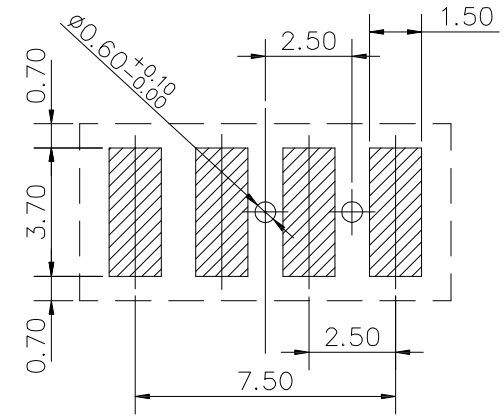
D

E

F



RECOMMENDED P.C.B. LAYOUT
(COMPONENT SIDE)


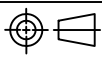


NOTE:
RG250007-MA004G403ZR

- SELECTIVE PLATING
 G1-05u" GOLD OVER NICKEL.
 G2-INDICATE GOLD FLASH.
 G3-10u" GOLD OVER NICKEL.
 G4-05u" GOLD OVER NICKEL.
 G5-30u" GOLD OVER NICKEL.
 G6-50u" GOLD OVER NICKEL.

3				
2	TERMINAL	PHO.BRONZE	—	GOLD WATER FLASH
1	PLASTIC	L.C.P	BLACK	UL 94V-0
NO. DESCRIPTION		MATERIAL	COLOR	REMARK

PROPRIETARY NOTE:
This document contains confidential information and proprietary to Rego Electronics and shall not be reproduced or disclosed to other documents or used for any purpose other than that for which was obtained without the expressed written consent of Rego Electronics.

.X ± 0.30	APPROVED: Chris	 http://www.rego.com.tw
.XX ± 0.20	CHECKED: Andy	
.XXX ± 0.15	DRAWN: Vic	
X* ± 3'		
	UNITS: mm	SCALE: NONE
	PART NO: RG250007-MA004G403ZR	
SHEET: 1		2

C	26.4.2013
REV	DATE

1 2 3 4 5 6 7 8 9 10

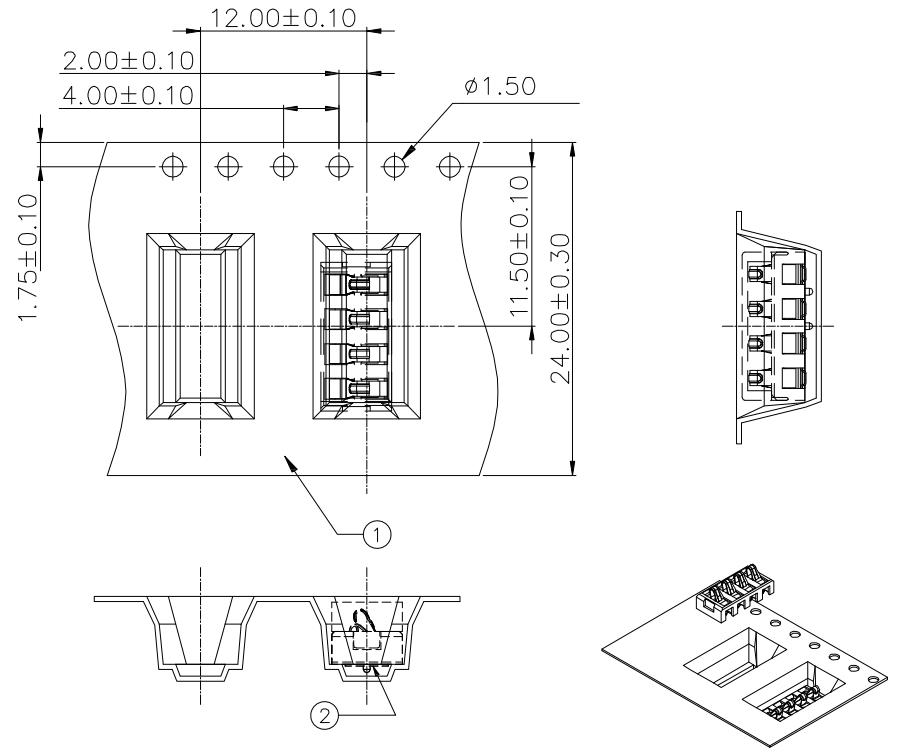
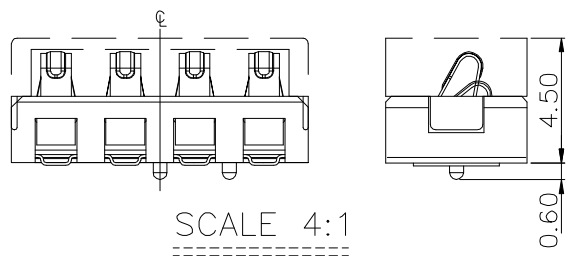
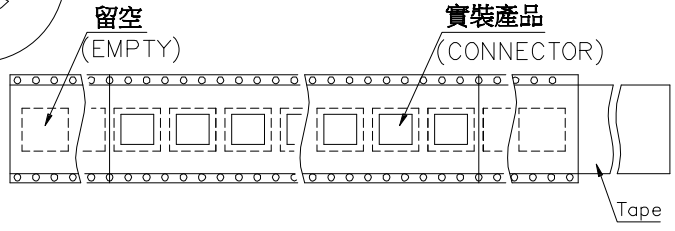
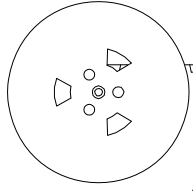
1 2 3 4 5 6 7 8 9 10

A
B
C
D
E
F

A
B
C
D
E
F

收料方向 客户放料方向
GATHER MATERIAL DIRECTION INPUT MATERIAL DIRECTION

收料方向 客户放料方向
GATHER MATERIAL DIRECTION INPUT MATERIAL DIRECTION




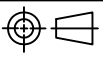
NOTE: All dimensions tolerance are:
1. ±0.25mm unless otherwise noted.
2. Component load by 13" reel.

Package Information

Part Number	Q'ty per reel	Reel per box	Q'ty per box
RG250007-MA004XX03ZR	950 PCS	13R	12350 PCS

3			
2	PRODUCT		RG250007-MA004GX03ZR
1	REEL	PS	Black IPRO221-004-01
	NO. DESCRIPTION	MATERIAL	COLOR
			REMARK

PROPRIETARY NOTE:
This document contains confidential information and proprietary to Rego Electronics and shall not be reproduced or disclosed to other documents or used for any purpose other than that for which was obtained without the expressed written consent of Rego Electronics.

.X ± 0.30	APPROVED: Chris	 http://www.rego.com.tw
.XX ± 0.20	CHECKED: Andy	
.XXX ± 0.15	DRAWN: Vic	
X* ± 3'		TITLE: 2.50mm PITCH BATTERY CONNECTOR
	UNITS: mm	SCALE: NONE
		PART NO: RG250007-MA004G403ZR
		SHEET: 2 OF 2

C	26.4.2013
REV	DATE

1 2 3 4 5 6 7 8 9 10