

1 2 3 4 5 6 7 8 9 10

A

B

C

D

E

F

A

B

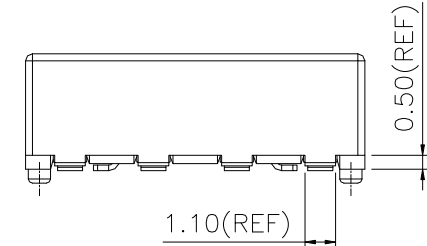
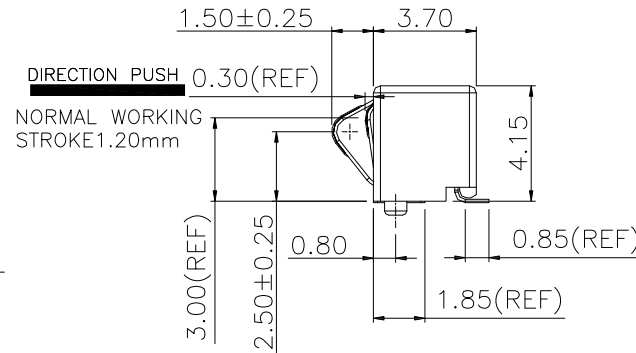
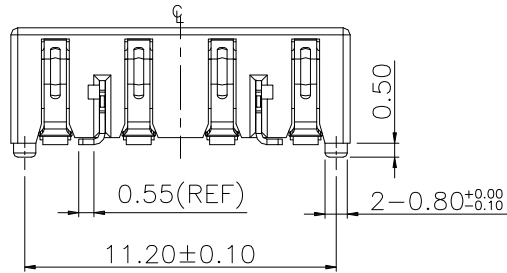
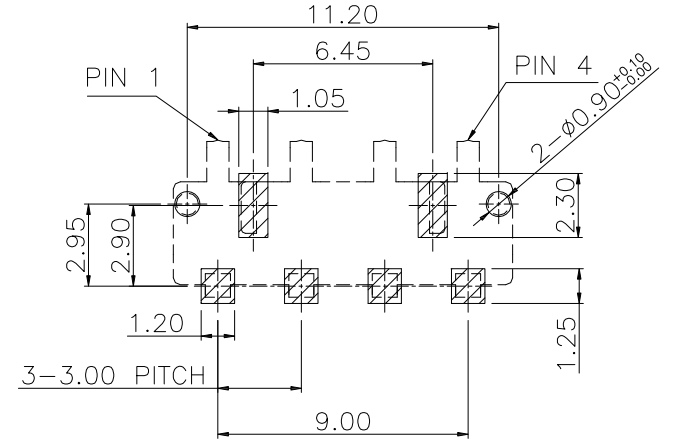
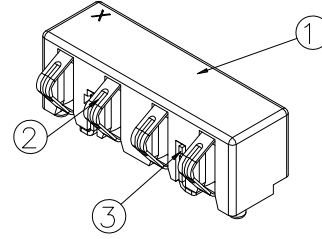
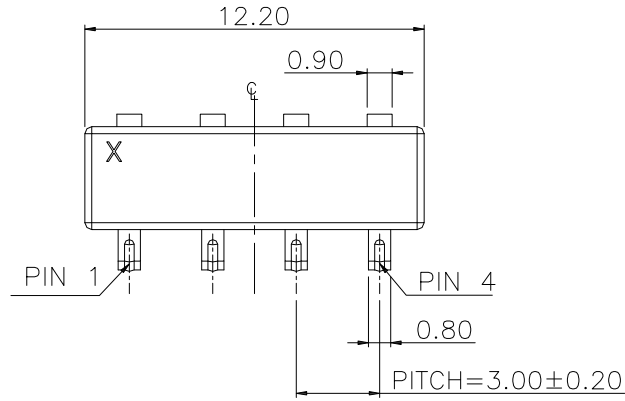
C

D

E

F

RECOMMENDED P.C.B LAYOUT (COMPONENT SIDE)
P.C.B THICKNESS=1.00mm (TOLERANCE=±0.05mm)
WITHOUT LOCKING FUNCTION



NOTE:
RG300200-HB004G500ZL


TERMINAL : Contact Area=Au-30u"MIN,
Others=G/F,
Under=Ni 30u"MIN,

FORK : All Area=TIN-100u"MIN,
Under=Ni 30u"MIN,

3	FORK	COPPER ALLOY	—	TIN PLATED OVER NECKEL
2	TERMINAL	COPPER ALLOY	—	SEE NOTE
1	HOUSING	HIGH TEMP.PLASTIC	BLACK	UL94 V-0
NO.	DESCRIPTION	MATERIAL	COLOR	REMARK

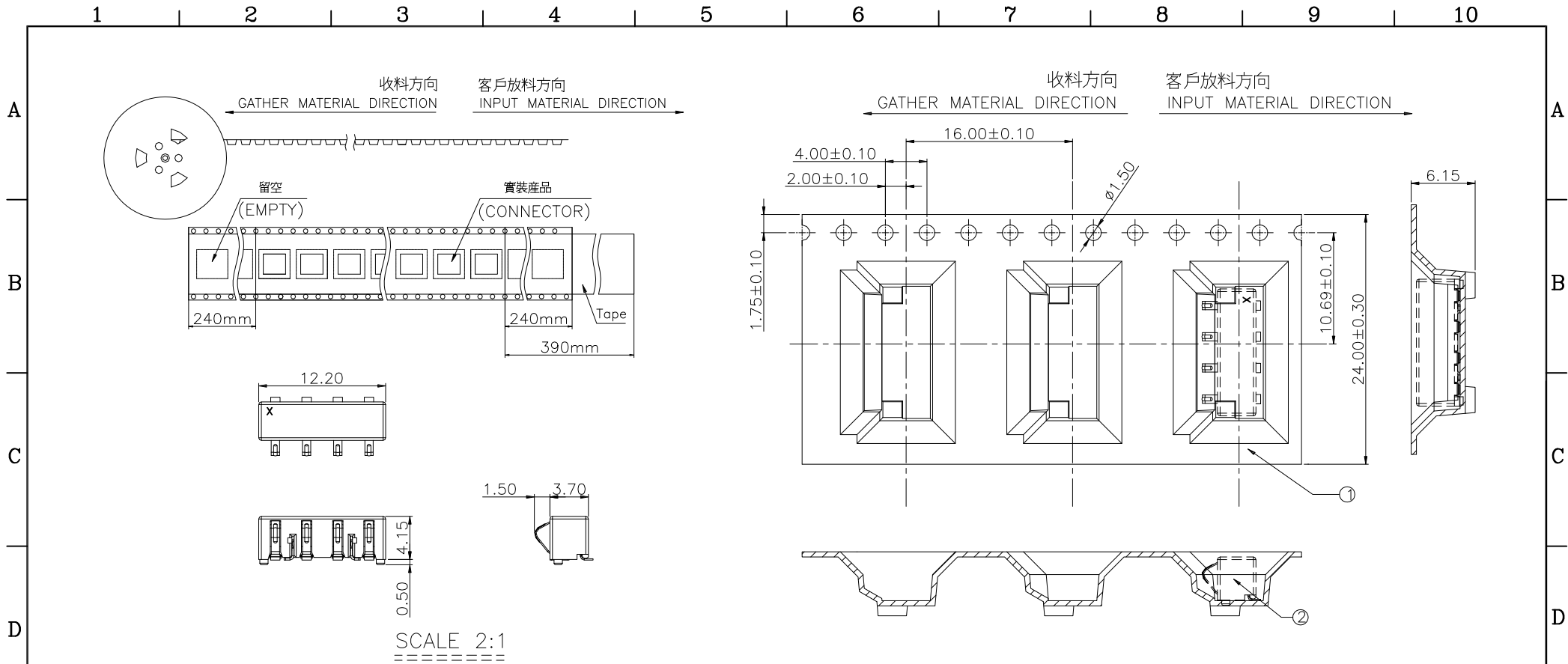
PROPRIETARY NOTE:

This document contains confidential information and proprietary to Rego Electronics and shall not be reproduced or disclosed to other documents or used for any purpose other than that for which was obtained without the expressed written consent of Rego Electronics.

.X ± 0.30	APPROVED: Chris	 http://www.rego.com.tw
.XX ± 0.20	CHECKED: Andy	
.XXX ± 0.15	DRAWN: Vic	
X* ± 3°		
UNITS: mm	SCALE: NONE	TITLE: 3.00mm PITCH SPRING BATTERY SMT TYPE
		PART NO: RG300200-HB004G500ZL
		SHEET: 1 OF 2

PA	15.2.2022
REV	DATE

1 2 3 4 5 6 7 8 9 10



NOTE: ALL DIMENSIONS TORLERANCE ARE:
 1. $\pm 0.25\text{mm}$ UNLESS OTHERWISE NOTED.
 2. COMPONENT LOAD BY 13" REEL.
 3. THE OUTER CARTON USED FOR PACKING IS: OC0137



PACKAGE INFORMATION:

PART NUMBER	Q'TY PER REEL	REEL PER BOX	Q'TY PER BOX
RG300200-HB004G500ZL	740 PCS	13 R	9620 PCS

NO.	DESCRIPTION	MATERIAL	COLOR	REMARK
3				
2	PRODUCT			RG300200-HB004G500ZL
1	REEL	PS	BLACK	IPR1235-004-00

PROPRIETARY NOTE:

This document contains confidential information and proprietary to Rego Electronics and shall not be reproduced or disclosed to other documents or used for any purpose other than that for which was obtained without the expressed written consent of Rego Electronics.

.X ± 0.30	APPROVED: Chris	 http://www.rego.com.tw
.XX ± 0.20	CHECKED: Andy	
.XXX ± 0.15	DRAWN: Vic	
X* ± 3		
	UNITS: mm	SCALE: NONE
TITLE: 3.00mm PITCH SPRING BATTERY SMT TYPE		PART NO: RG300200-HB004G500ZL
SHEET: 2		DF 2

PA	15.2.2022
REV	DATE