

1 2 3 4 5 6 7 8 9 10

A

B

C

D

E

F

A

B

C

D

E

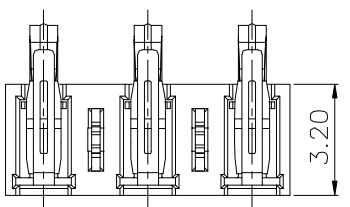
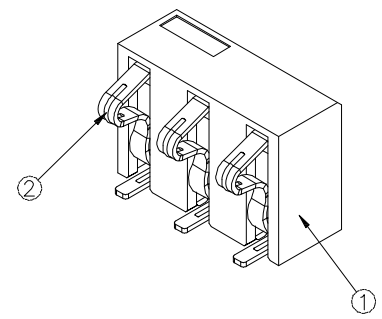
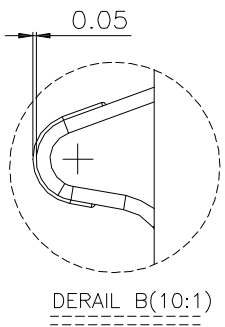
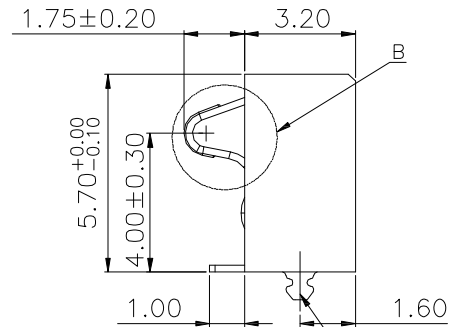
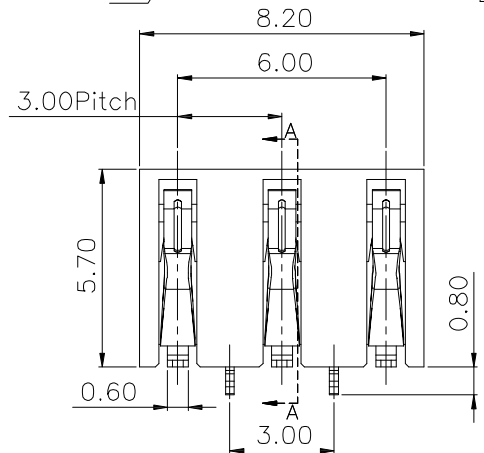
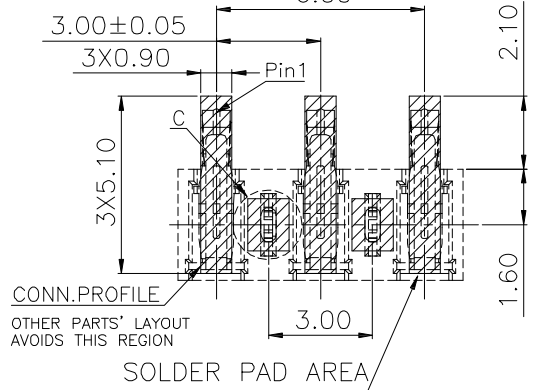
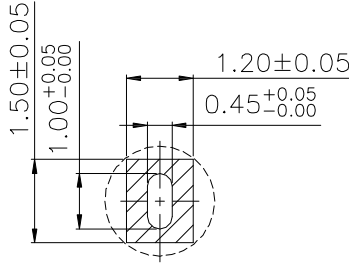
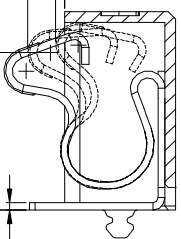
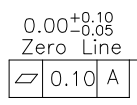
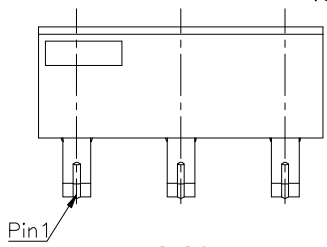
F

The battery is inserted in the direction of 15 degrees range

Do not press from this direction

NORMAL STROKE 1.05mm
MAX STROKE 0.25mm

RECOMMENDED P.C.B LAYOUT(TOP SIDE)
P.C.B THICKNESS = 1.20mm (TOLERANCE=±0.05)



1:P/N: RG300006-MB003G206ZL


TERMINAL PLATED:
G1,-05u" GOLD OVER NICKEL.
G2,-GOLD FLASH OVER NICKEL.
G3,-10u" GOLD OVER NICKEL.
G4,-15u" GOLD OVER NICKEL.
G5,-30u" GOLD OVER NICKEL.

S1-05u"MIN.GOLD IN CONTACT AREA/
100u"MIN.TIN IN SOLDER AREA.
S2- GOLD FLASH IN CONTACT./
100u"MIN.TIN IN SOLDER AREA.
S3-10u"MIN.GOLD IN CONTACT AREA/
100u"MIN.TIN IN SOLDER AREA.
S4-15u"MIN.GOLD IN CONTACT AREA/
100u"MIN.TIN IN SOLDER AREA.
S5-30u"MIN.GOLD IN CONTACT AREA/
100u"MIN.TIN IN SOLDER AREA.

2. PUSH FORCE
80g OR MORE PER PIN STROKE=0.70mm

3	FORK	SPCC	—	TIN PLATED
2	TERMINAL	C1720 H	—	GOLD PLATED
1	HOUSING	LCP	BLACK	UL-94V
NO.	DESCRIPTION	MATERIAL	COLOR	REMARK

PROPRIETARY NOTE:
This document contains confidential information and proprietary to Rego Electronics and shall not be reproduced or disclosed to other documents or used for any purpose other than that for which was obtained without the expressed written consent of Rego Electronics.

.X ± 0.30	APPROVED:	 http://www.rego.com.tw
.XX ± 0.20	Chris	
.XXX ± 0.15	ANDY	
X* ± 3'	DRAWN:	Vic
UNITS:	SCALE:	PART NO: RG300006-MB003G206ZL
mm	NONE	SHEET: 1 OF 1

B	11.8.2008
REV	DATE

1 2 3 4 5 6 7 8 9 10