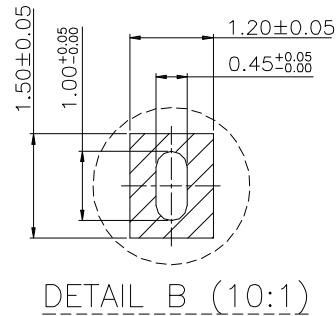
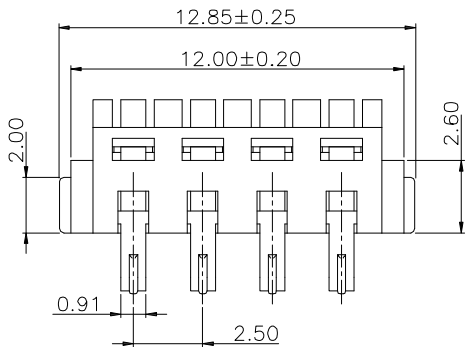
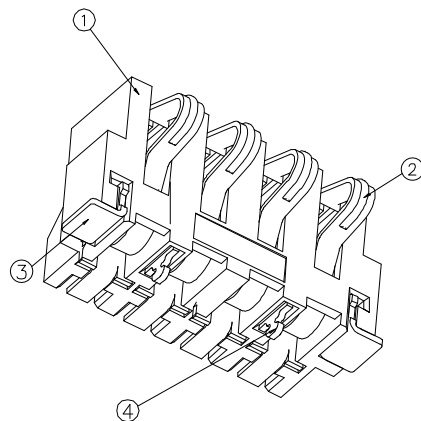
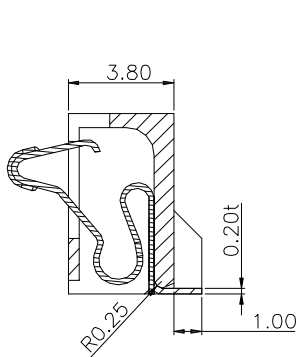
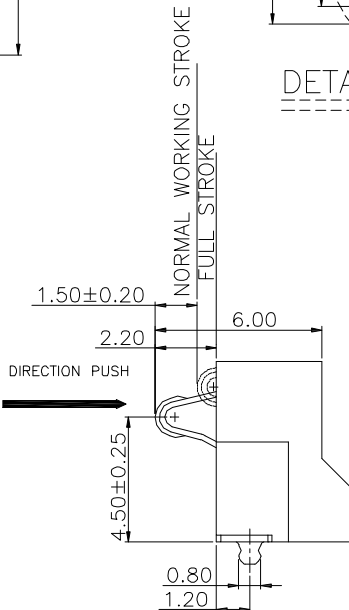
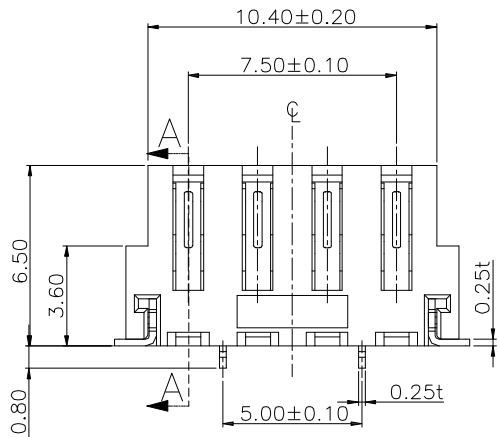
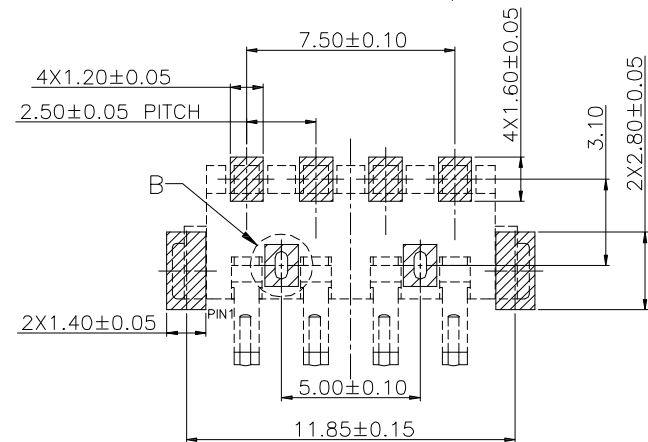


1 2 3 4 5 6 7 8 9 10

A
B
C
D
E
F




RECOMMENDED P.C.B. LAYOUT (COMPONENT SIDE)
P.C.B THICKNESS = 0.8mm (TOLERANCE=±0.05)



NOTE:
1.PUSH FORCE 51g MIN. ~140g MAX.PER PIN
2.RATED CURRENT 2.0 AMPERE(MIN)
3.CONTACT RESISTANCE ≤ 20 mΩ

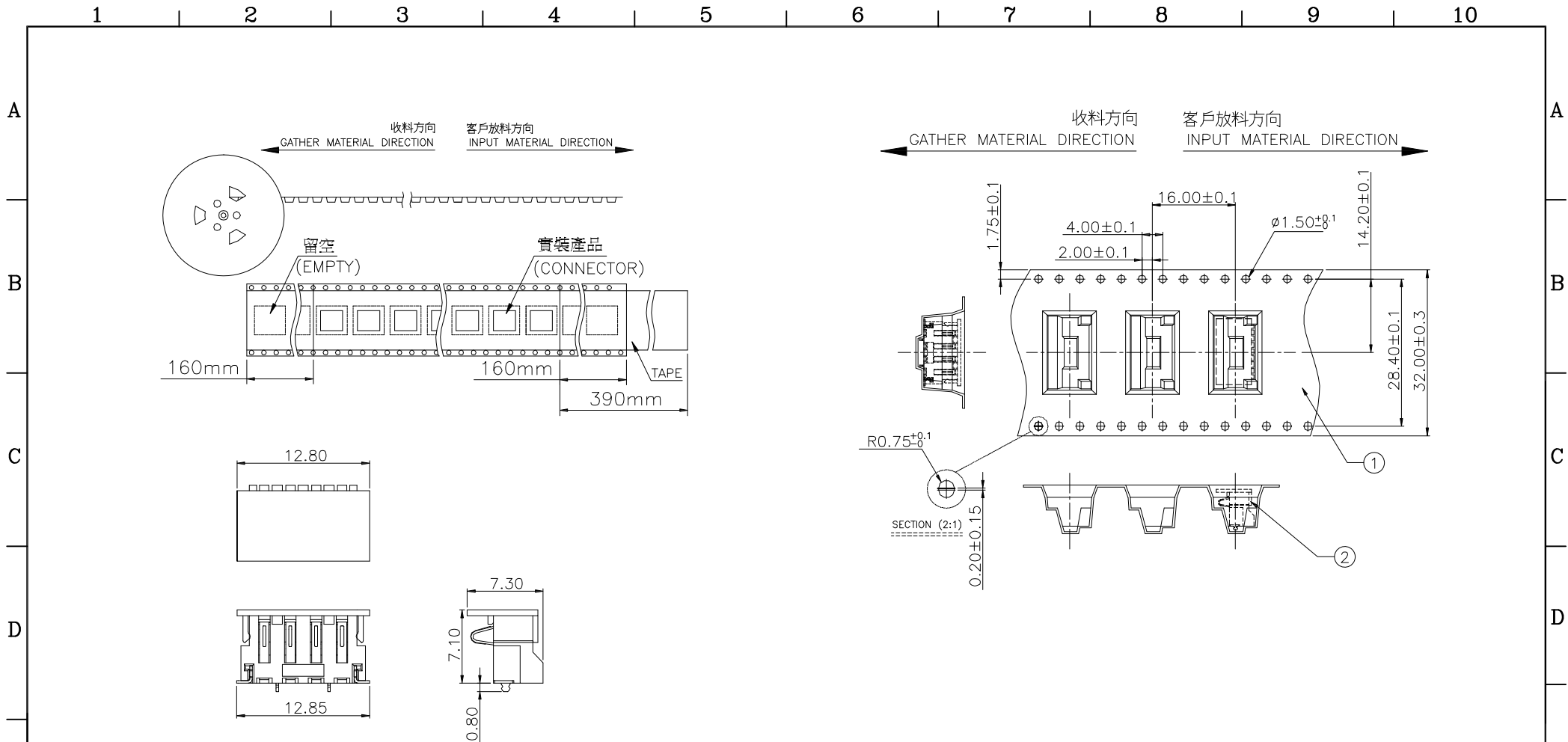
4	FORK	METAL		TIN PLATED
3	LATCH	COPPER ALLOY		TIN PLATED
2	TERMINAL	COPPER ALLOY		GOLD PLATED OVER NI
1	HOUSING	HIGH TEMP.PLASTIC	BLACK	UL94V-0
NO.	DESCRIPTION	MATERIAL	COLOR	REMARK

PROPRIETARY NOTE:
This document contains confidential information and proprietary to Rego Electronics and shall not be reproduced or disclosed to other documents or used for any purpose other than that for which was obtained without the expressed written consent of Rego Electronics.

.X ± 0.30	APPROVED:	 http://www.rego.com.tw
.XX ± 0.20	CHECKED:	
.XXX ± 0.15	DRAWN:	
X* ± 3'		
UNITS:	SCALE:	TITLE: 2.50mm PITCH SPRING BATTERY CONN
mm	NONE	PART NO: RG250042-MB004G317ZR
		SHEET: 1 OF 2

A	25.9.2013
REV	DATE

1 2 3 4 5 6 7 8 9 10



SCALE(2:1)


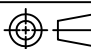
PACKAGE. INFROMATION

PART NUMBER	Q'TY PER REEL
RG250042-MB004G317ZR	450pcs

NOTE: All DIMENSIONS TOLERANCE ARE:
 1. ±0.25mm UNLESS OTHERWISE NOTED.
 2. COMPONENT LOOD BY 13" REEL.

4				
3				
2	PRODUCT			RG250042-MB004G317ZR
1	REEL	PS	BLACK	IPR0383-004-00
NO.	DESCRIPTION	MATERIAL	COLOR	REMARK

PROPRIETARY NOTE:
 This document contains confidential information and proprietary to Rego Electronics and shall not be reproduced or disclosed to other documents or used for any purpose other than that for which was obtained without the expressed written consent of Rego Electronics.

.X ± 0.30	APPROVED:	 http://www.rego.com.tw	
.XX ± 0.20	CHECKED: Chris		
.XXX ± 0.15	ANDY		
X* ± 3'	DRAWN: Vic	TITLE: 2.50mm PITCH SPRING BATTERY CONN	
	UNITS: mm	SCALE: NONE	PART NO: RG250042-MB004G317ZR
			SHEET: 2 OF 2

A	25.9.2013
REV	DATE