

1 2 3 4 5 6 7 8 9 10

RECOMMENDED P.C.B LAYOUT (COMPONENT SIDE)
P.C.B THICKNESS=0.90MM(TOLERANCE=±0.05)

A

B

C

D

E

F

A

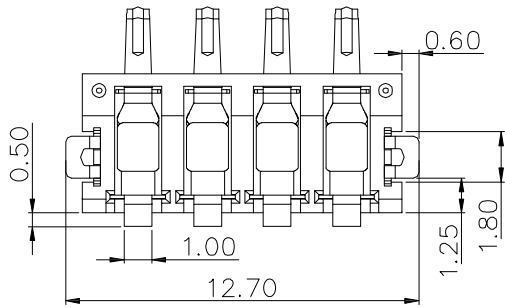
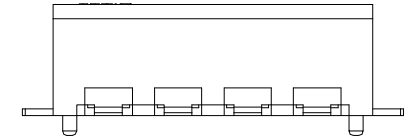
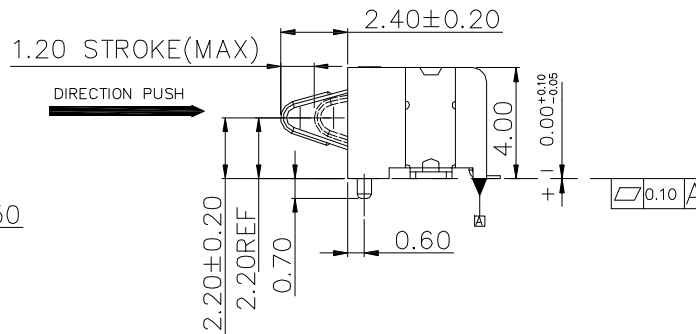
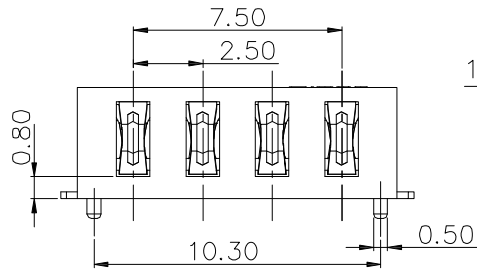
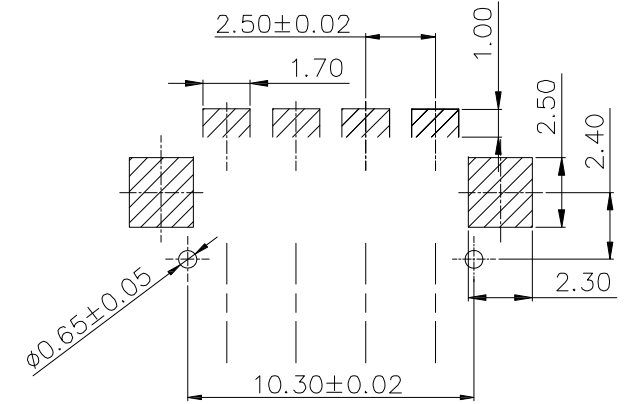
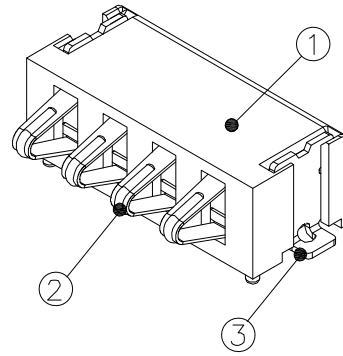
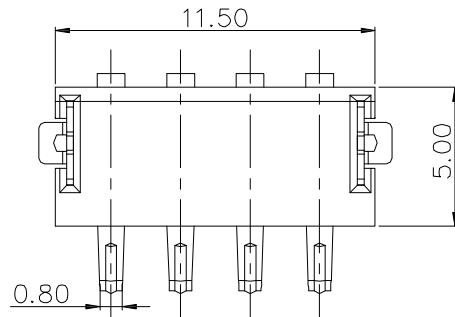
B

C

D

E

F




NOTE:
RG250037-MB004G515ZL

- PLATING
G1-5U" GOLD OVER NICKEL 30u"MIN.
G2-GOLD FLASH OVER NICKEL 30u"MIN.
G3-10U" GOLD OVER NICKEL 30u"MIN.
G4-15U" GOLD OVER NICKEL 30u"MIN.
G5-30U" GOLD OVER NICKEL 30u"MIN.
G6-50U" GOLD OVER NICKEL 30u"MIN.
- FORCE:
100G MIN. ~250G MAX.PER PIN

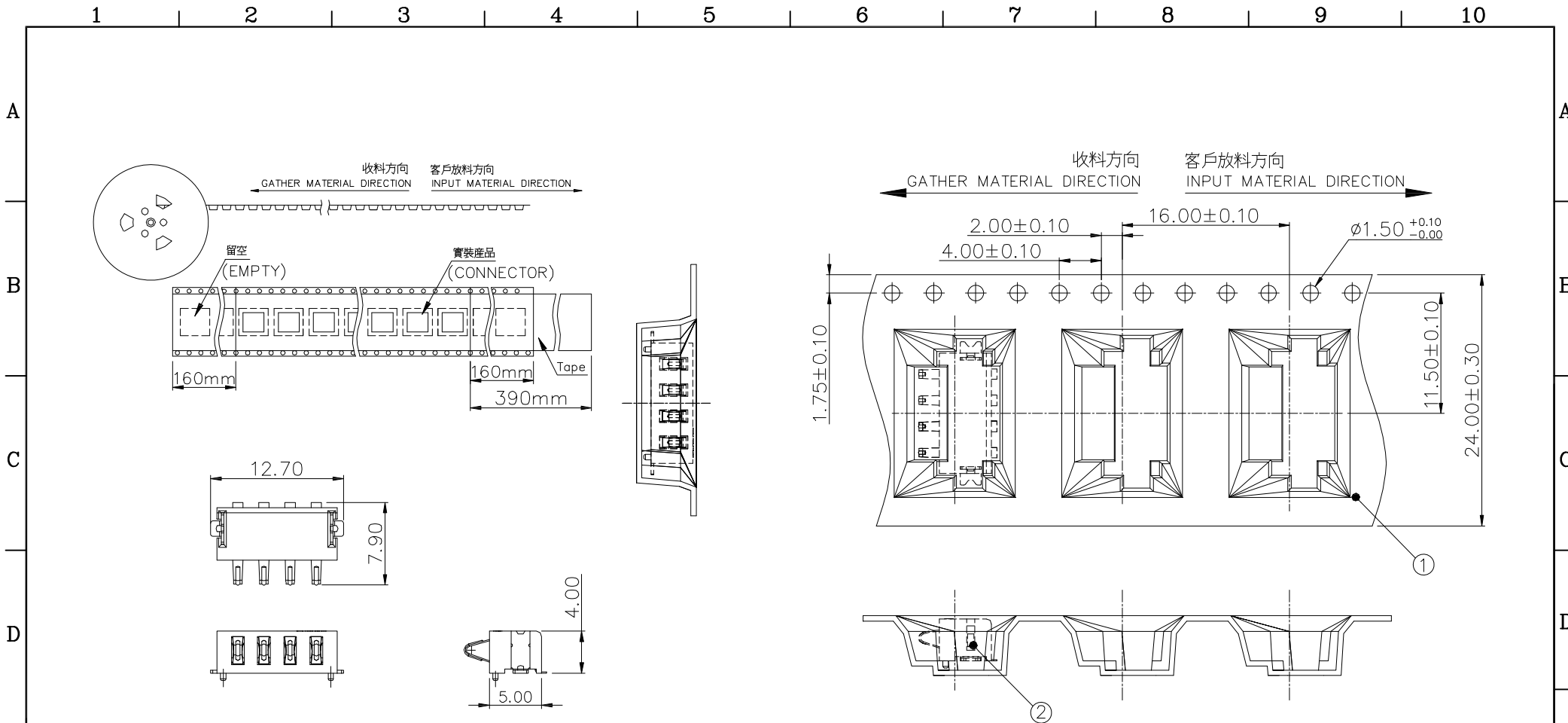
NO.	DESCRIPTION	MATERIAL	COLOR	REMARK
3	FORK	COPPER ALLOY		TIN PLATED OVER NICKEL
2	TERMINAL	COPPER ALLOY		GOLD PLATED OVER NICKEL
1	HOUSING	HIGH TEMP.PLASTIC	BLACK	UL94V-0

PROPRIETARY NOTE:
This document contains confidential information and proprietary to Rego Electronics and shall not be reproduced or disclosed to other documents or used for any purpose other than that for which was obtained without the expressed written consent of Rego Electronics.

.X ± 0.30	APPROVED: Chris	 http://www.rego.com.tw
.XX ± 0.20	CHECKED: Andy	
.XXX ± 0.15	DRAWN: Vic	
X* ± 3'		
UNITS: mm	SCALE: NONE	TITLE: 2.50mm PITCH SPRING BATTERY SMD TYPE
		PART NO: RG250037-MB004G515ZL
		SHEET: 1 OF 2

B	05.5.2011
REV	DATE

1 2 3 4 5 6 7 8 9 10


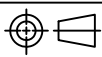


NOTE: ALL DIMENSIONS TOLRERANCE ARE:
 1. $\pm 0.25\text{mm}$ UNLESS OTHERWISE NOTED.
 2. COMPONENT LOAD BY 13" REEL.
 3. The outer carton used for packing is: OC0137

PACKAGE INFORMATION			
PART NUMBER	Q'TY PER REEL	REEL PER BOX	Q'TY PER BOX
RG250037-MB004GX15ZL	850 PCS	13 R	11050 PCS

3				
2	PRODUCT			RG250037-MB004GX15ZL
1	REEL	PS	BLACK	IPR0151-004-11
NO.	DESCRIPTION	MATERIAL	COLOR	REMARK

PROPRIETARY NOTE:
 This document contains confidential information and proprietary to Rego Electronics and shall not be reproduced or disclosed to other documents or used for any purpose other than that for which was obtained without the expressed written consent of Rego Electronics.

.X ± 0.30	APPROVED: Chris	 http://www.rego.com.tw
.XX ± 0.20	CHECKED: Andy	
.XXX ± 0.15	DRAWN: Vic	
X* $\pm 3^*$	UNITS: mm	SCALE: NONE
		TITLE: 2.50mm PITCH SPRING BATTERY SMD TYPE PART NO: RG250037-MB004G515ZL SHEET: 2 OF 2

B	05.5.2011
REV	DATE