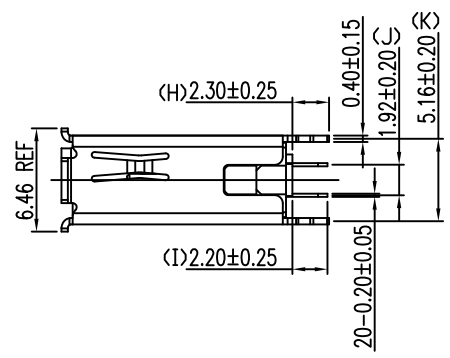
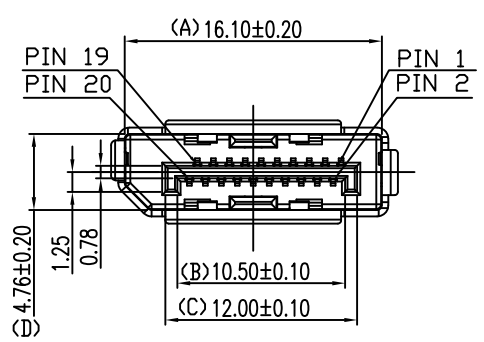


NOTES

- MATERIAL:
Housing:LCP, UL 94V-0, Color:Black.
Terminal:Copper Alloy.
Shell:Brass.
- FINISH:
Terminal:Gold Plated over Nickel at Contact Area.
Tin Plated over Nickel at Solder Area.
Shell:Solderable Nickel Plated.
- This Product is LEAD-FREE & RoHS Compliance Product.

SPECIFICATIONS

- Displayport
- 1.1 Voltage: 40 VAC(RMS) Max.
- 1.2 Current Rating: 0.5 Ampere per Contact
- 1.3 Contact Resistance: 30 Milliohms Max.
- 1.4 Insulation Resistance: 100 Megohms Min.
- 1.5 Dielectric Withstanding Voltage: 500 VAC(RMS)
- 1.6 Total Mating Force: 4.5 Kgf Max.
- 1.7 Total Unmating Force: 1.0 Kgf Min.
- 1.8 Operating Temperature: -55°C to +85°C



915DPVXXX-1XXX0XXN0

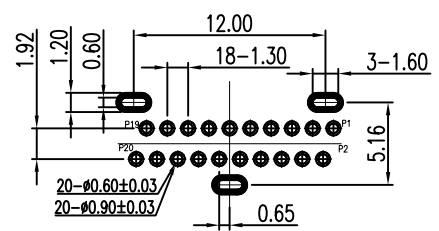
SERIES NO. _____ N: IT'S COMPLIANT WITH RoHS

NUMBER OF POSITION _____ INSULATOR MATERIALS
20: 20-POSITION
1: PBT
2: LCP
3: PA9T

CONTACT STYLE _____ COLOR STYLE
S: SOCKET
1: ALL BLACK

CONTACT MATERIALS _____ STYLE
1: BRASS
2: Short flanging & TRIPLE ARROWHEAD BOARDLOCK
3: Long flanging & TRIPLE ARROWHEAD BOARDLOCK

CONTACT FINISH _____ FRONT SHELL FINISH
1: G/F BRIGHT TIN
3: 15u" BRIGHT TIN
4: 30u" BRIGHT TIN
7: G/F MATTE TIN
8: 15u" MATTE TIN
9: 30u" MATTE TIN
8: SOLDERABLE NICKEL




RECOMMENDED P.C.B. LAYOUT
INSPECTION DIMENSION:(A)~(K)

PROPRIETARY NOTE:

This document contains confidential information and proprietary to Rego Electronics and shall not be reproduced or disclosed to other documents or used for any purpose other than that for which was obtained without the expressed written consent of Rego Electronics.

AO	21.1.2016
REV	DATE

.X ± 0.30	APPROVED: Chris	 http://www.rego.com.tw
.XX ± 0.20	CHECKED: Andy	
.XXX ± 0.15	DRAWN: Vic	TITLE: Display Port Female Vertical Type
X* ± 3'	UNITS: mm	SCALE: NONE
PART NO: 915DPV20S-1782012N0		SHEET: 1 OF 1