

1 2 3 4 5 6 7 8 9 10

A

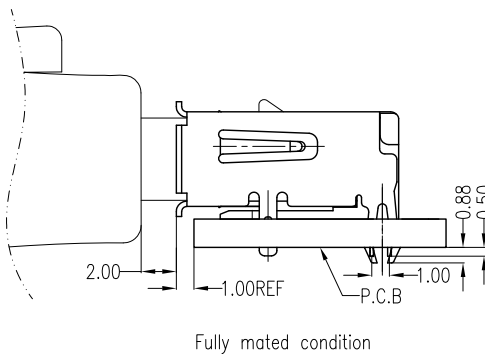
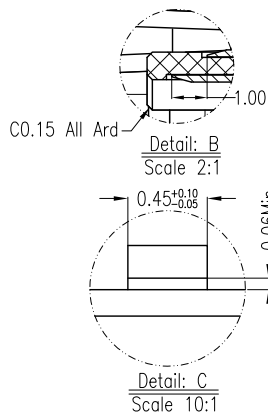
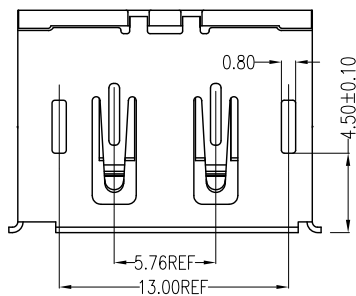
B

C

D

E

F



NOTES:

***Material**

Body: LCP, UL 94V-0 Rated; Color: Black.
 Shield: Brass.
 Plating: Ni(40u" Min.) Plating.
 Contact: Brass.
 Plating: Au plating on contact area;
 Sn(100u" Min.) plating on solder tail;
 Ni(50u" Min.) underplating overall.

***Electrical Specification**

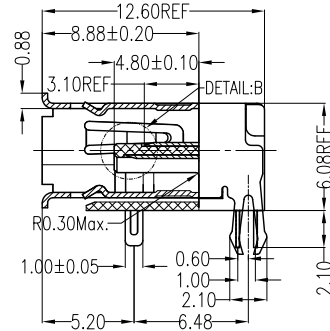
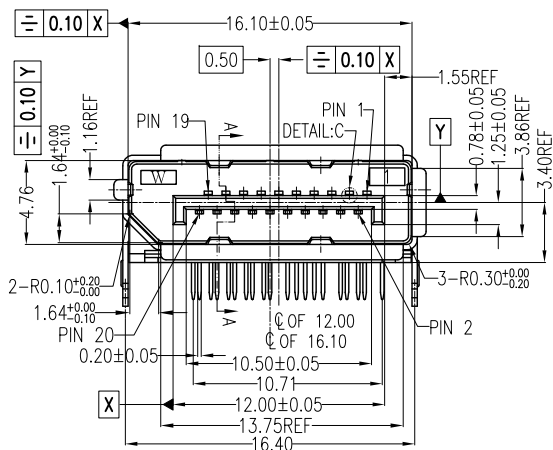
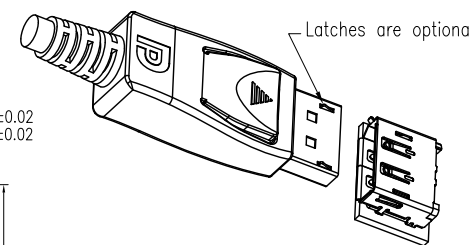
Operation Voltage: 40 VAC max.
 Current Rating: 0.5 Ampere per contact
 Contact Resistance: 30 Milliohms max.
 Insulation Resistance: 100 Megohms min.
 Dielectric Withstanding Voltage: 500 VAC

***Environmental**

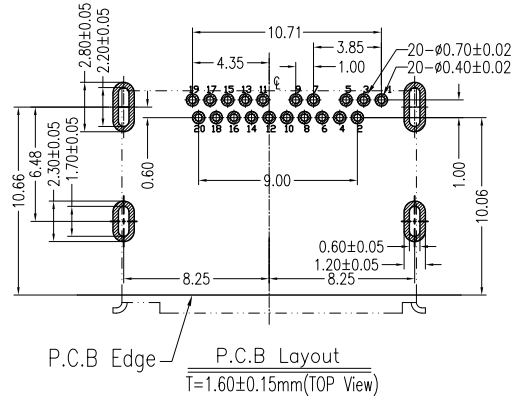
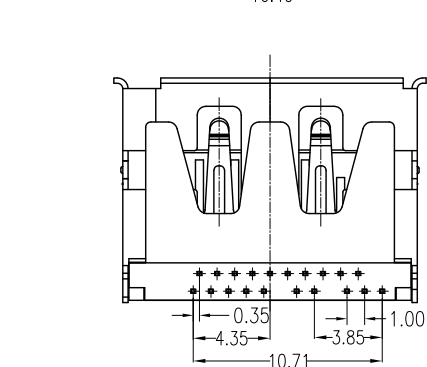
Operating Temperature: -20°C to +85°C

***How To Order**


840DPE20-F5L1B U 3
 Series NO. _____
 Number of Contacts _____
 Au A:>0.8u",D:15u",F:30u"
 5: DIP Type(Two Row) _____
 L: LCP _____
 U:Lead Free
 B:Brass
 1:Black



Pin No.	Signal Type	Pin No.	Signal Type
1	In	11	GND
2	GND	12	In
3	In	13	CONFIG(see note 1)
4	In	14	CONFIG(see note 1)
5	GND	15	I/O
6	In	16	GND
7	In	17	I/O
8	GND	18	Out
9	In	19	RTN
10	In	20	Power Out(see note 2)



PROPRIETARY NOTE:
 This document contains confidential information and proprietary to Rego Electronics and shall not be reproduced or disclosed to other documents or used for any purpose other than that for which was obtained without the expressed written consent of Rego Electronics.

.X ± 0.35	APPROVED: Chris	 http://www.rego.com.tw
.XX ± 0.25	CHECKED: Andy	
.XXX ± 0.15	DRAWN: Vic	
X* ± 3*		
UNITS: mm	SCALE: NONE	TITLE: DisplayPort External Female Right Angle DIP Type Double Row Connector PART NO: 840DPE20-F5L1BU3 SHEET: 1 OF 1

F	27.6.2017
REV	DATE

1 2 3 4 5 6 7 8 9 10