

1 2 3 4 5 6 7 8 9 10

A

B

C

D

E

F

A

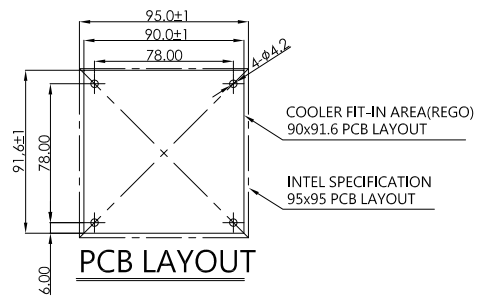
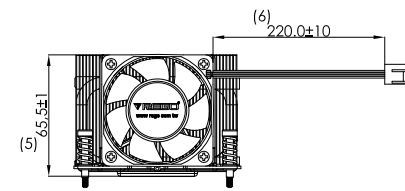
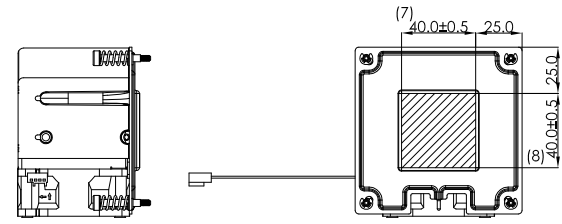
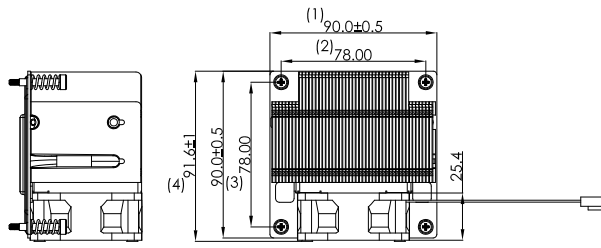
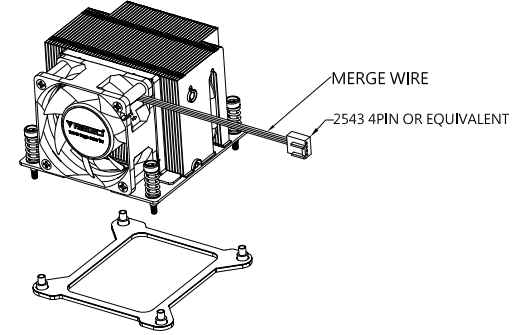
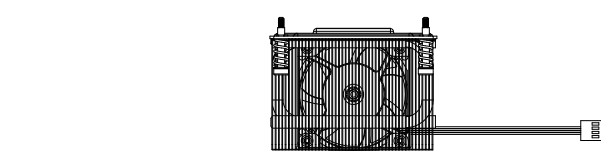
B

C

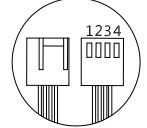
D

E

F



SCALE 4:1



NOTES

- 1.LEAD WIRE UL 1061 AWG#26
- PIN 1:BLACK WIRE---(-)
- PIN 2:YELLOW WIRE---(+)
- PIN 3:GREEN WIRE---(SIGNAL)
- PIN 4:BLUE WIRE---(PWM INPUT)
- 2.HOUSING:2543-4P(BEIGE) OR EQUIVALENT

NOTES:

NO	PART NAME / NUMBER	DESCRIPTION	PCS
0	RGE-ST002-1	∅30	1
1	1-0200010877	D5.8x32L	4
2	AXIAL FAN	60x25.4	1
3	RGD3226VCHP-N		1
4	THERMAL GREASE	X-23-7783D (40x40x0.15)	1
5	850-BP1700-5	89x89x9.05	1

		PROPRIETARY NOTE THIS DOCUMENT CONTAINS CONFIDENTIAL INFORMATION AND PROPRIETARY TO REGO ELECTRONICS AND SHALL NOT BE REPRODUCED OR DISCLOSED TO OTHER DOCUMENTS OR USED FOR ANY PURPOSE OTHER THAN THAT FOR WHICH WAS OBTAINED WITHOUT THE EXPRESSED WRITTEN CONSENT OF REGO ELECTRONICS.			
		PROJECT	APPROVED	MATERIAL	DATE
TITLE		CHECKED	FINISH	SCALE	.X ± 0.30
PART NO		DRAWN	UNITS	REV	.XX ± 0.20
2U CPU COOLER FOR INTEL LGA1700 PROCESSORS RGD3226VCHP-EF75-002		CHRIS	SEE NOTE	2021/12/23	.XXX ± 0.10
		LEVI	SEE NOTE	1:1	SHEET
		VIC	mm	A	1 OF 1

1 2 3 4 5 6 7 8 9 10