

1 2 3 4 5 6 7 8 9 10

A

B

C

D

E

F

A

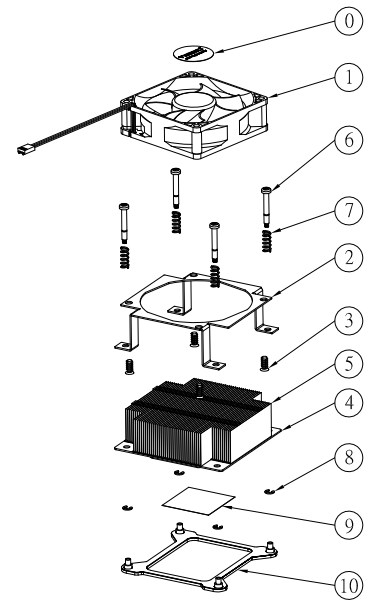
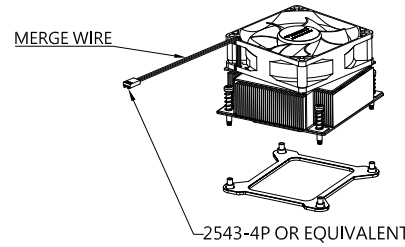
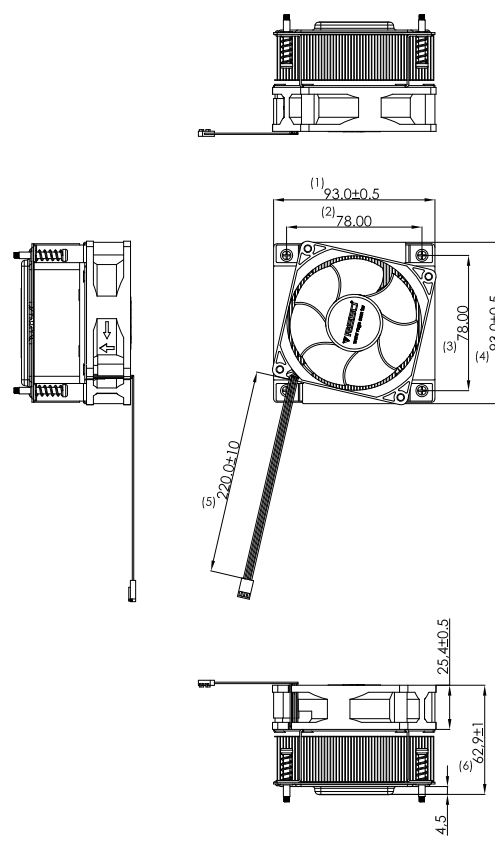
B

C

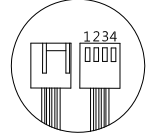
D

E

F

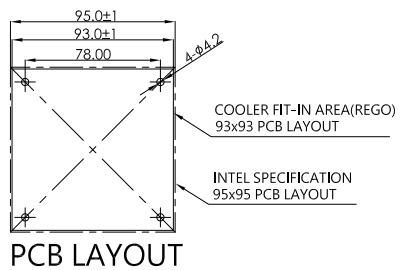


SCALE 4:1



NOTES:

- 1.LEAD WIRE: UL1061 AWG#26
- Pin1. BLACK WIRE---(-)
- Pin2. YELLOW WIRE---(+)
- Pin3. GREEN WIRE---(SIGNAL)
- Pin4. BLUE WIRE---(PWM INPUT)
- 2.HOUSING:2543-4P(BEIGE) OR EQUIVALENT



NOTES:

NO	PART NAME / NUMBER	DESCRIPTION	PCS
0	RGE-ST002-1	ø30	1
1	R128025BUAF325aR	80x25.4	1
2	1-2000010951	93x93x30.5	1
3	877TA-00004	D6.4x10L	4
4	15-HA000010951	93x91.4x7T	1
5	18-000010951	91.8Wx91.4Lx26.5H	1
6	1-0700010951	D7x30.8L	4
7	1-0600010951	W0.9x0D6.1x16.3Lx6N	4
8	1-0500010951	#3	4
9	1-1200010951	X-23-7783D (ø40x0.15)	1
10	850-BP1700-5	89x89x9.05	1



PROPRIETARY NOTE
THIS DOCUMENT CONTAINS CONFIDENTIAL INFORMATION AND PROPRIETARY TO REGO ELECTRONICS AND SHALL NOT BE REPRODUCED OR DISCLOSED TO OTHER DOCUMENTS OR USED FOR ANY PURPOSE OTHER THAN THAT FOR WHICH WAS OBTAINED WITHOUT THE EXPRESSED WRITTEN CONSENT OF REGO ELECTRONICS.

PROJECT	APPROVED	MATERIAL	DATE	.X° ± 3° .X ± 0.30 .XX ± 0.20 .XXX ± 0.10
	CHRIS	SEE NOTE	2021/12/21	
TITLE	CHECKED	FINISH	SCALE	1 : 1
2U CPU COOLER FOR INTEL LGA1700 PROCESSORS	LEVI	SEE NOTE	1 : 1	
PART NO	DRAWN	UNITS	REV	SHEET
RGD3224VC-EF48-002	VIC	mm	A	1 OF 1

1 2 3 4 5 6 7 8 9 10