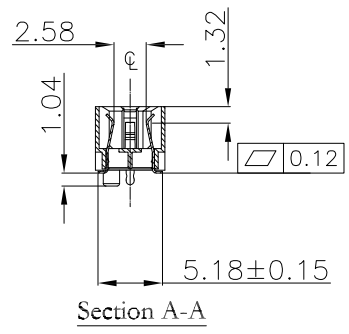
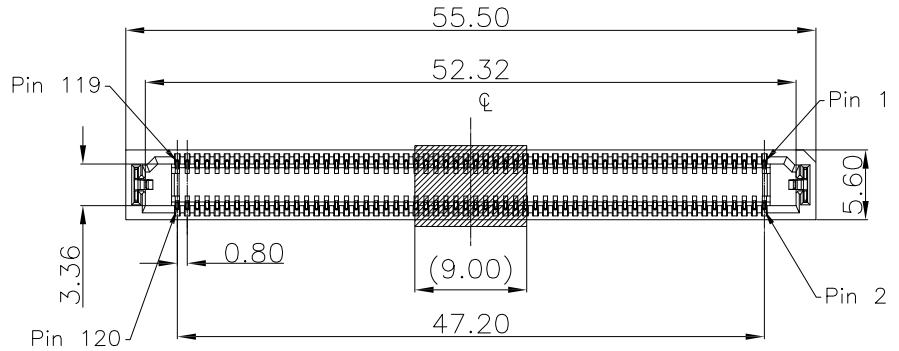


1 2 3 4 5 6 7 8 9 10

A
B
C
D
E
F



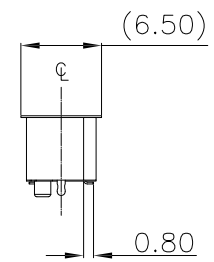
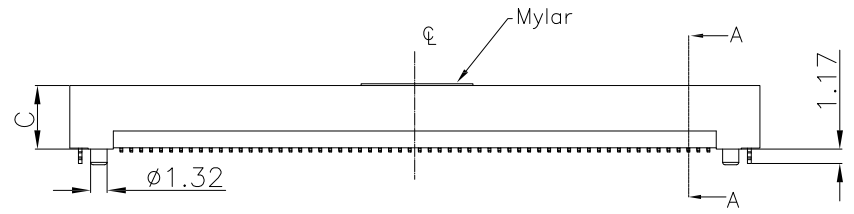
Material and Plating:

Housing: LCP, UL94V-0, BLACK.
 Contact: Nickel Copper.
 Gold Plated on Contact Area and 80u" Min Tin Plated on Solder Tail over Nickel 50u" Min.
 Lock: Phosphor Bronze.
 80u" Min Tin Plated over Nickel 50u" Min.

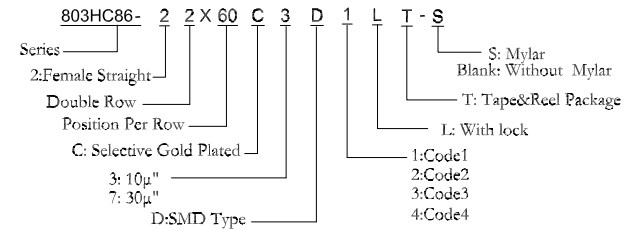
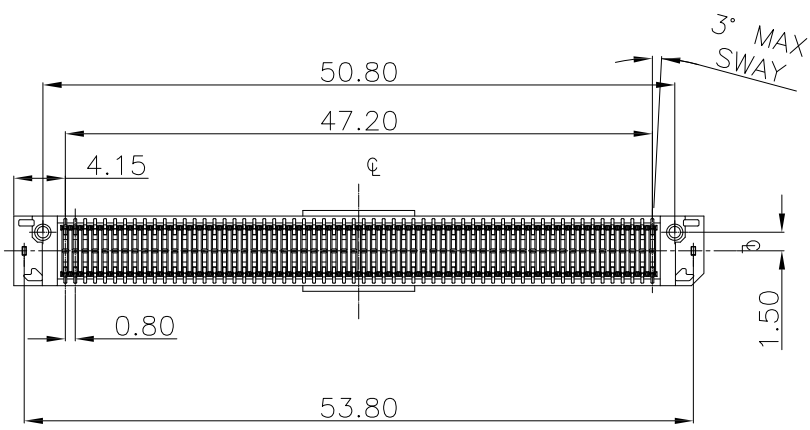
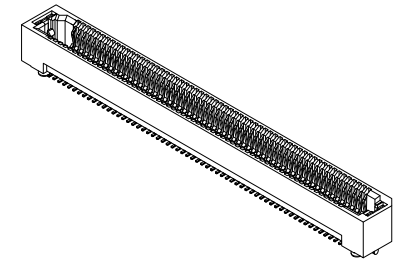
Electrical Characteristics:

Current Rating: 1.5 AMP Per Contact With 1 Contact.
 Voltage Rating: 300V AC.
 Dielectric Withstanding Voltage: AC 500V For 1 Minute.
 Insulator Resistance: 50000 MΩ Min.
 Contact Resistance: 25mΩ max.
 Operating Temperature: -55°C ~+125°C .

***RoHS Compliant**




stacked height D



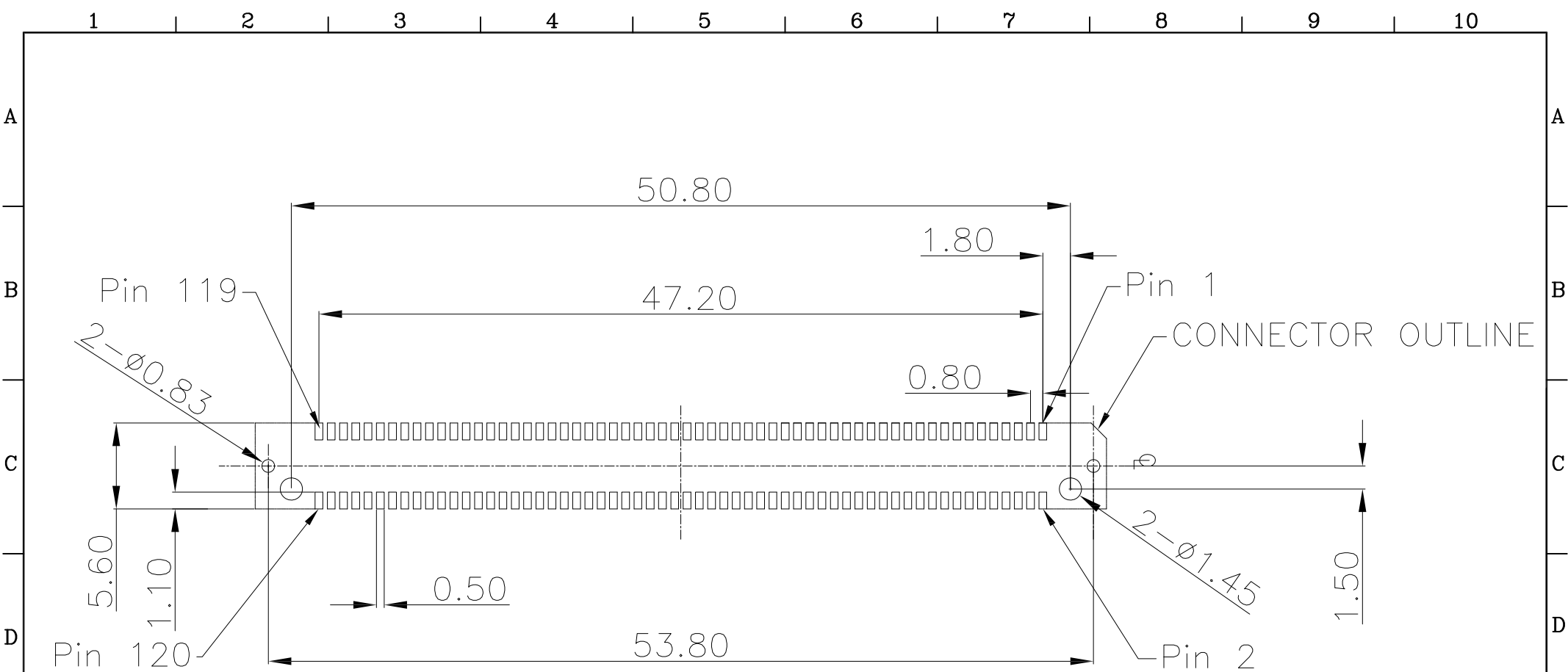
PROPRIETARY NOTE:
 This document contains confidential information and proprietary to Rego Electronics and shall not be reproduced or disclosed to other documents or used for any purpose other than that for which was obtained without the expressed written consent of Rego Electronics.

***Available Code																
Code	*1	2	3	4												
Height C	5.10	7.00	9.10	10.10												
Stacked Height D	*7.0	10.0	13.0	14.0	9.0	12.0	15.0	16.0	11.0	14.0	17.0	18.0	12.0	15.0	18.0	19.0

.X ± 0.30	APPROVED: Chris	 http://www.rego.com.tw
.XX ± 0.20	CHECKED: Andy	
.XXX ± 0.15	DRAWN: Vic	
X* ± 3'		
UNITS: mm	SCALE: NONE	TITLE: High Speed Board To Board Pitch : 0.8mm 120 Position Female Type
PART NO: 803HC86-22x60C3D1LT-S		SHEET: 1 OF 2


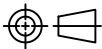
X3	25.7.2020
REV	DATE

1 2 3 4 5 6 7 8 9 10



Recommended PCB Layout
(Tolerance : ± 0.05)

X3	25.7.2020
REV	DATE

PROPRIETARY NOTE: This document contains confidential information and proprietary to Rego Electronics and shall not be reproduced or disclosed to other documents or used for any purpose other than that for which was obtained without the expressed written consent of Rego Electronics.		
.X ± 0.30	APPROVED: Chris	 http://www.rego.com.tw
.XX ± 0.20	CHECKED: Andy	
.XXX ± 0.15	DRAWN: Vic	TITLE: High Speed Board To Board Pitch : 0.8mm 120 Position Female Type
X° $\pm 3'$	UNITS: mm	SCALE: NONE
		PART NO: 803HC86-22x60C3D1LT-S
		SHEET: 2 OF 2