

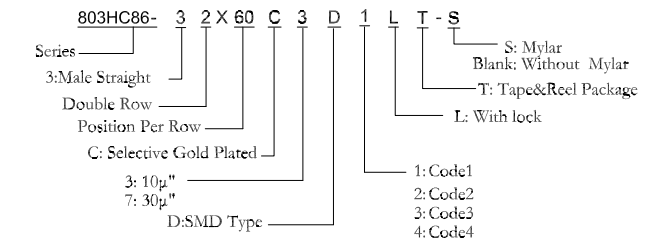
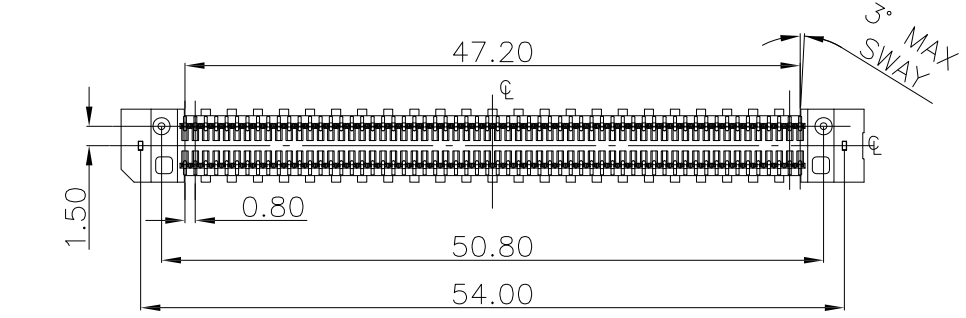
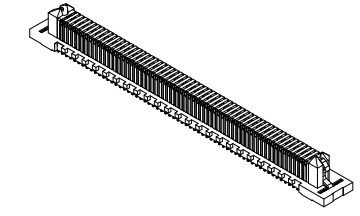
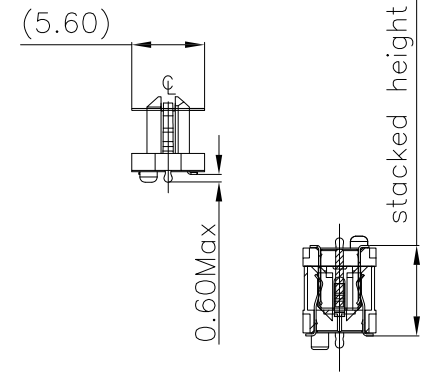
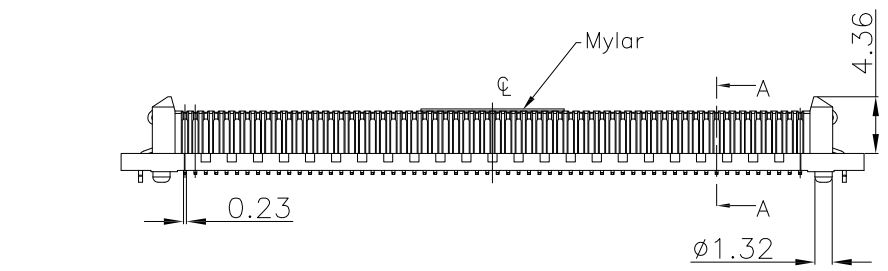
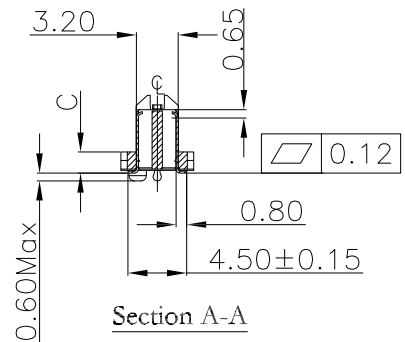
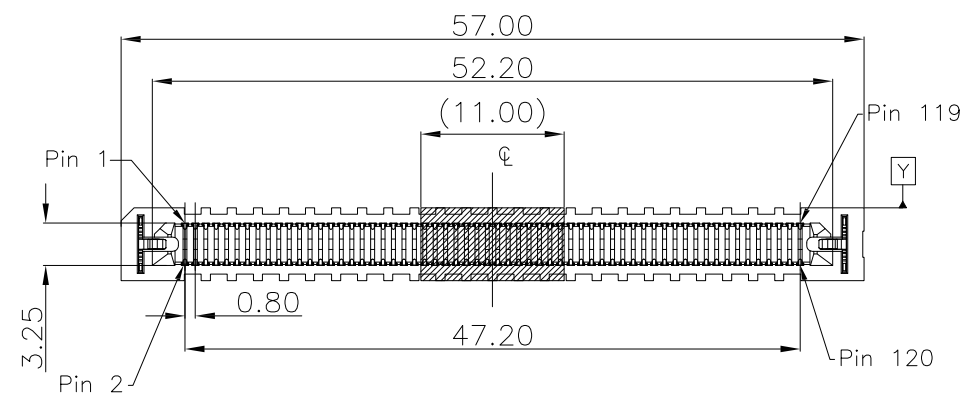
Material and Plating:

Housing: LCP, UL94V-0, BLACK.
 Contact: Brass.
 Gold Plated on Contact Area and 80u" Min Tin Plated on Solder Tail over Nickel 50u" Min.
 Lock: Phosphor Bronze.
 80u" Min Tin Plated over Nickel 50u" Min.

Electrical Characteristics:

Current Rating: 1.5 AMP Per Contact With 1 Contact.
 Voltage Rating: 300V AC.
 Dielectric Withstanding Voltage: AC 500V For 1 Minute.
 Insulator Resistance: 50000 MΩ Min.
 Contact Resistance: 25mΩ max.
 Operating Temperature: -55°C ~+125°C.


***RoHS Compliant**



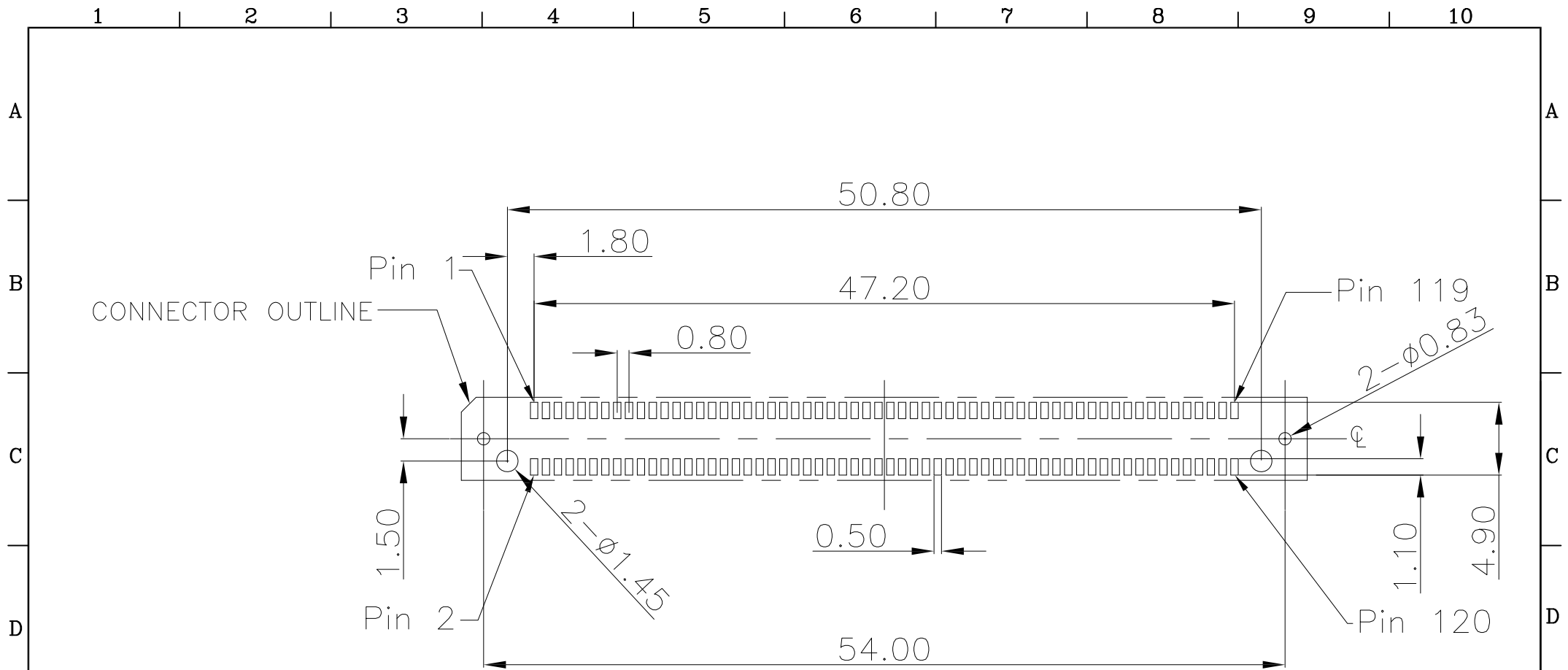
PROPRIETARY NOTE:
 This document contains confidential information and proprietary to Rego Electronics and shall not be reproduced or disclosed to other documents or used for any purpose other than that for which was obtained without the expressed written consent of Rego Electronics.

***Available Code

Code	*1	2	3	4
Height C	1.605	4.605	7.605	8.605
Stacked Height D	*7.0	10.0	13.0	14.0
	9.0	12.0	15.0	16.0
	11.0	14.0	17.0	18.0
	12.0	15.0	18.0	19.0

.X ± 0.30	APPROVED: Chris	 http://www.rego.com.tw
.XX ± 0.20	CHECKED: Andy	
.XXX ± 0.15	DRAWN: Vic	
X* ± 3'		
UNITS: mm	SCALE: NONE	TITLE: High Speed Board To Board Pitch : 0.8mm 120 Position Male Type
PART NO: 803HC86-32x60C3D1LT-S		SHEET: 1 OF 2

X3	25.7.2020
REV	DATE



Recommended PCB Layout
(Tolerance :±0.05)

PROPRIETARY NOTE:
This document contains confidential information and proprietary to Rego Electronics and shall not be reproduced or disclosed to other documents or used for any purpose other than that for which was obtained without the expressed written consent of Rego Electronics.

.X ± 0.30	APPROVED: Chris	 http://www.rego.com.tw
.XX ± 0.20	CHECKED: Andy	
.XXX ± 0.15	DRAWN: Vic	TITLE: High Speed Board To Board Pitch : 0.8mm 120 Position Male Type
X* ± 3'	UNITS: mm	SCALE: NONE
		PART NO: 803HC86-32x60C3D1LT-S SHEET: 2 OF 2

X3	25.7.2020
REV	DATE