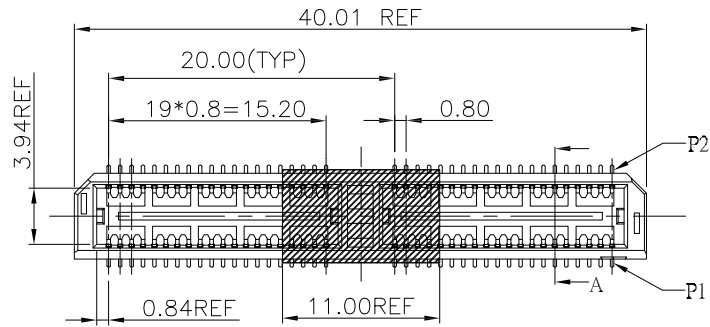


1 2 3 4 5 6 7 8 9 10

A  
B  
C  
D  
E  
F

A  
B  
C  
D  
E  
F



**Material and Plating:**

Housing: LCP, UL94V-0, Black.

Signal Contacts : Brass

Gold Plated on Contact Area and 80u" Min Tin Plated on Solder Tail over nickel 50u" Min .

**Electrical Characteristics:**

Current Rating: 2A .

Voltage Rating: 125V AC .

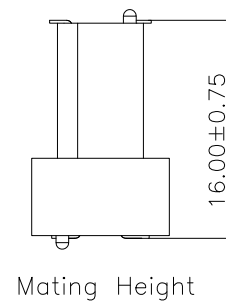
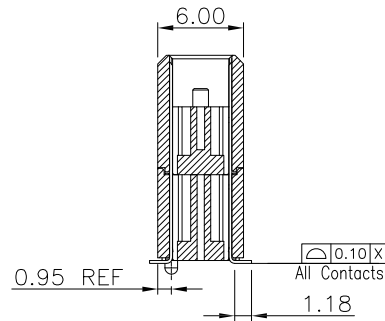
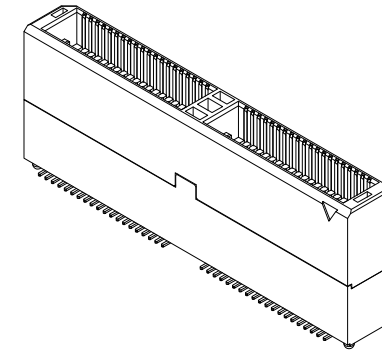
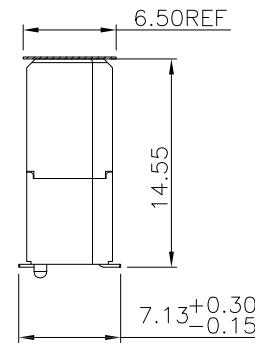
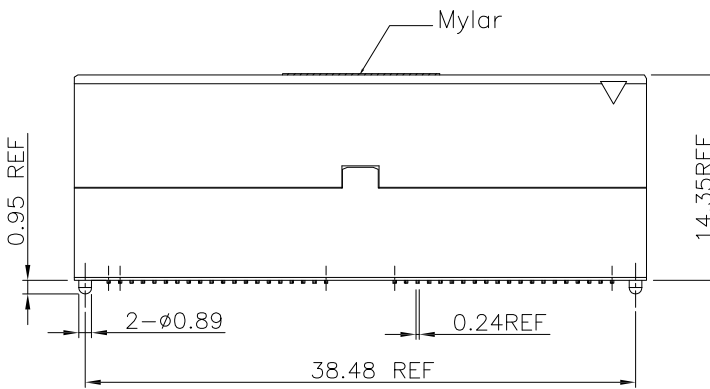
Dielectric Withstanding Voltage: 525V AC For 1 minute.

Insulator Resistance: 5000MΩ min at DC 500V.

Contact Resistance: Signal Pin; 45mΩ max .

Operating Temperature: -55°C ~ +125°C .


**\*RoHS Compliant**



80337- 80 M C 2 D P 1 T -S

Series ——— S: Mylar  
 Position ——— T: Tape & Reel Package  
 M: Male ——— 1: Code 1 height 14.55mm  
 C: Selective Gold Plated ——— N: W/O Post, W/O Lock  
 1: G/F ——— P: With Post, W/O Lock  
 2: 5u" ——— L: W/O Post, With Lock  
 3: 10u" ——— D: SMD Type  
 7: 30u"

**PROPRIETARY NOTE:**  
 This document contains confidential information and proprietary to Rego Electronics and shall not be reproduced or disclosed to other documents or used for any purpose other than that for which was obtained without the expressed written consent of Rego Electronics.

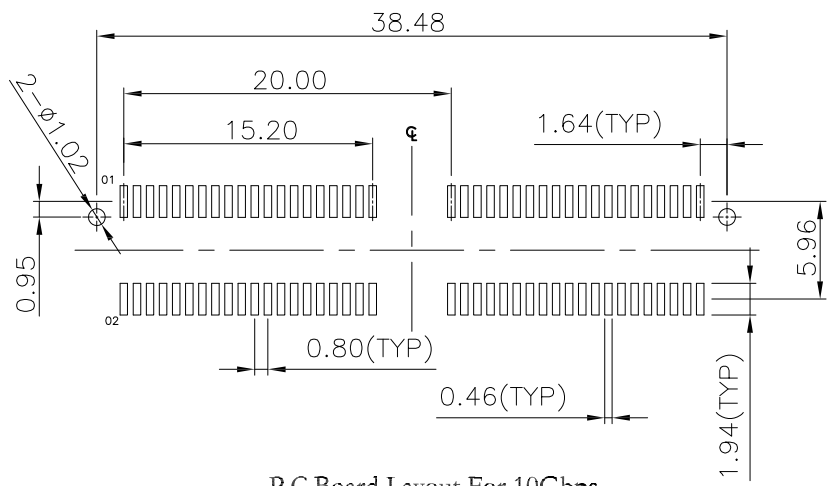
.X ± 0.30	APPROVED: Chris	 http://www.rego.com.tw
.XX ± 0.20	CHECKED: Andy	
.XXX ± 0.15	DRAWN: Vic	TITLE: High Speed Board to Board Pitch : 0.8mm Male 80 Pins Connector H : 14.55mm
X* ± 3*	UNITS: mm	SCALE: NONE
		PART NO: 80337-80MC2DP1T-S
		SHEET: 1 OF 2

R2	02.4.2020
REV	DATE

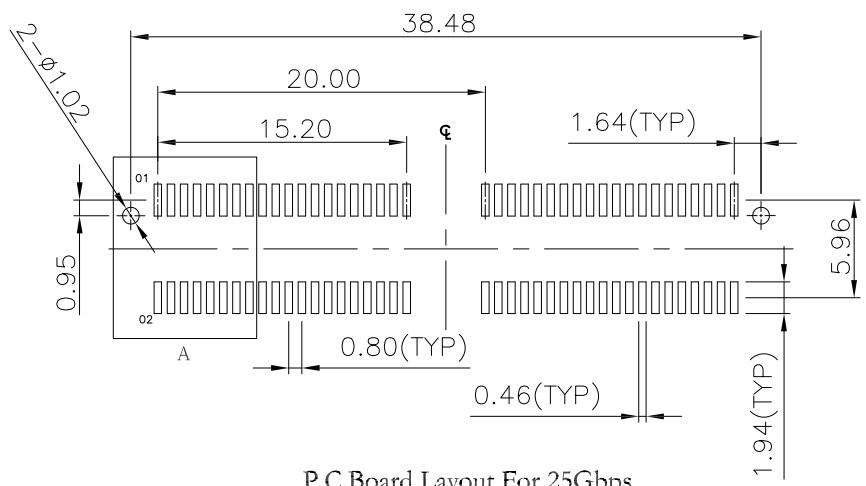
1 2 3 4 5 6 7 8 9 10

SECTION A-A  
 Scale 1:1

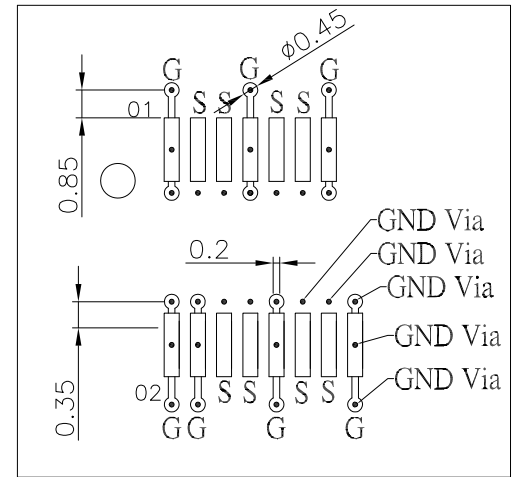
Mating Height




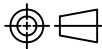
P.C.Board Layout For 10Gbps  
(Tolerance:±0.05)



P.C.Board Layout For 25Gbps  
(Tolerance:±0.05)



Detail A  
Scale:2:1

<b>PROPRIETARY NOTE:</b> This document contains confidential information and proprietary to Rego Electronics and shall not be reproduced or disclosed to other documents or used for any purpose other than that for which was obtained without the expressed written consent of Rego Electronics.		
.X ± 0.30	APPROVED: Chris	 http://www.rego.com.tw
.XX ± 0.20	CHECKED: Andy	
.XXX ± 0.15	DRAWN: Vic	TITLE: High Speed Board to Board Pitch : 0.8mm Male 80 Pins Connector H : 14.55mm
X* ± 3°	UNITS: mm	PART NO: 80337-80MC2DP1T-S
	SCALE: NONE	SHEET: 2 OF 2

R2	02.4.2020
REV	DATE