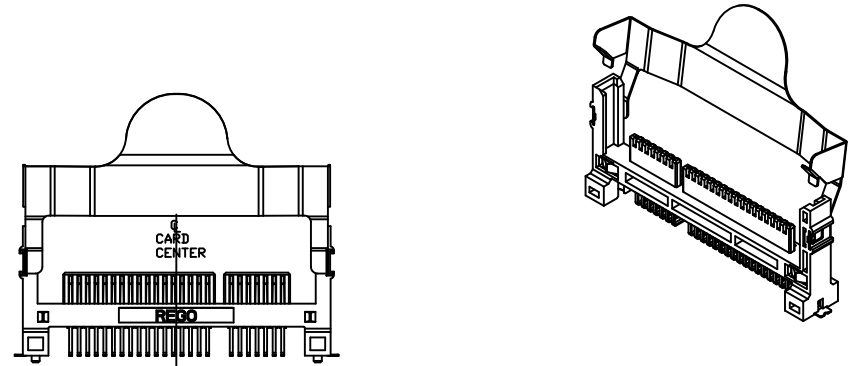
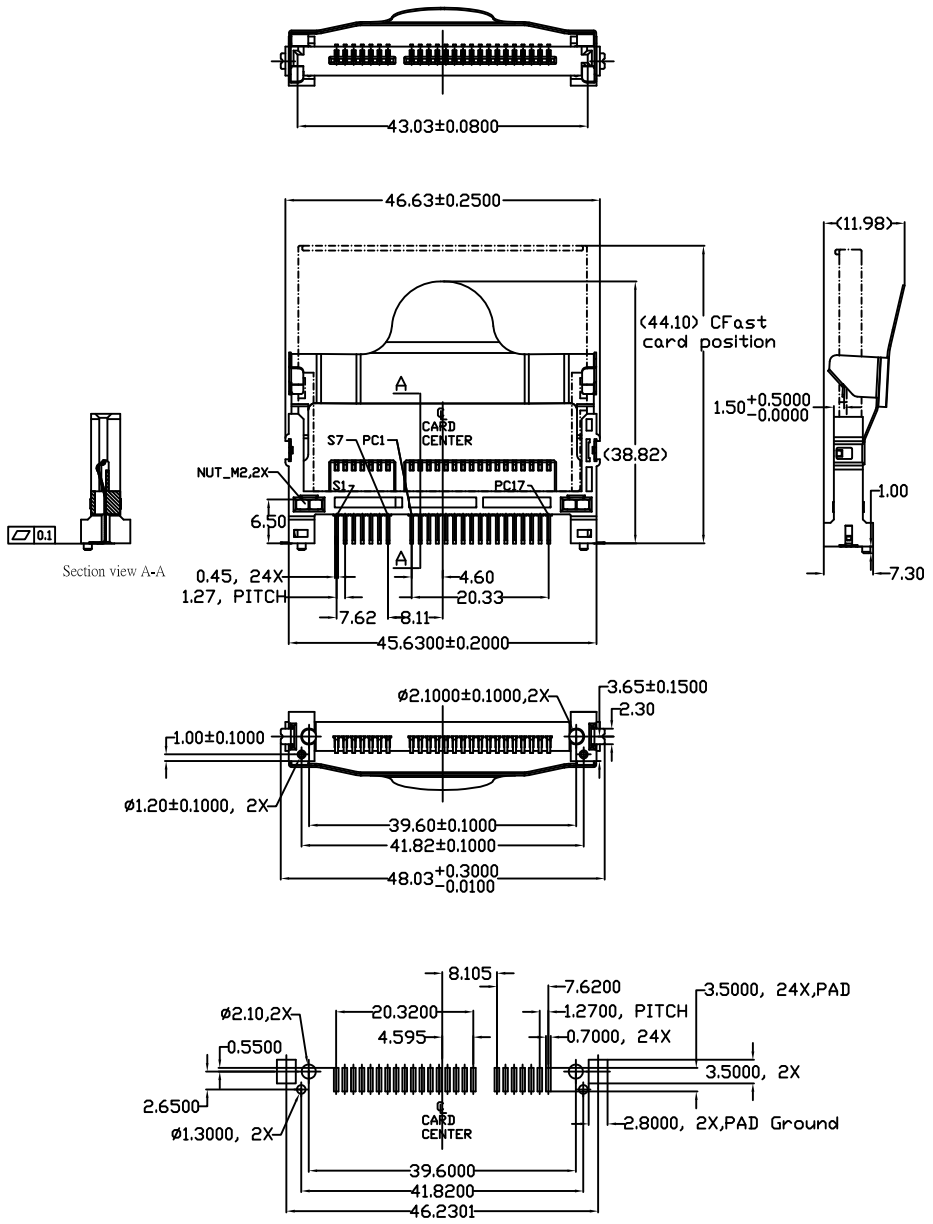

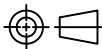


A
B
C
D
E
F

NOTES:

1. MATERIAL:
 - 1-1 Housing: Engineering plastic, LCP with G.F reinforced, black per UL 94V-0 rate.
 - 1-2 Terminal: Phosphor Bronze, per JIS 5210, 0.2t
 - 1-3 Spring: Stainless steel sheet SUS301 0.25t.
2. PLATING:
 - 2-1 CONTACTS: 0.254 μm (10 μ") gold plating in contact area, and underplated with 1.27 μm (50 μ") min. Nickel over all.
 - 2-2 Solder zone: 2.54 μm (100 μ") matte Tin, 1.27 μm (50 μ") min. Nickel underplating over all.
3. RoHS compliant products.
4. OPERATING TEMPERATURE: -40°C ~ +85°C



<p>PROPRIETARY NOTE: This document contains confidential information and proprietary to Rego Electronics and shall not be reproduced or disclosed to other documents or used for any purpose other than that for which was obtained without the expressed written consent of Rego Electronics.</p>			
.X ± 0.30	APPROVED:	 http://www.rego.com.tw	<p>TITLE: CFAST Host Connector Type I & Type II Vertical Push Pull with Locking Mechanism</p>
.XX ± 0.20	CHECKED:		
.XXX ± 0.15	DRAWN:		
X* ± 3'			
	UNITS:	SCALE:	PART NO: 821101-1100154
	mm	NONE	SHEET: 1 OF 1

A	RELEASE	06.24.2014
REV	DESCRIPTION	DATE