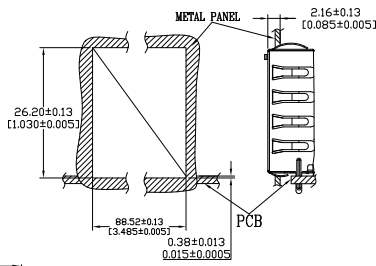
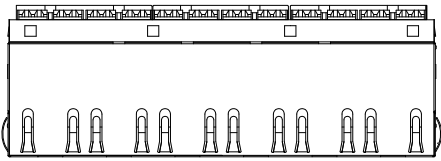


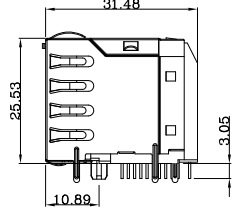
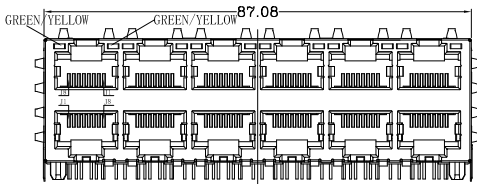
1 2 3 4 5 6 7 8 9 10

Unless otherwise specified, all dimensions tolerances is  $\pm 0.254 / 0.010$ .

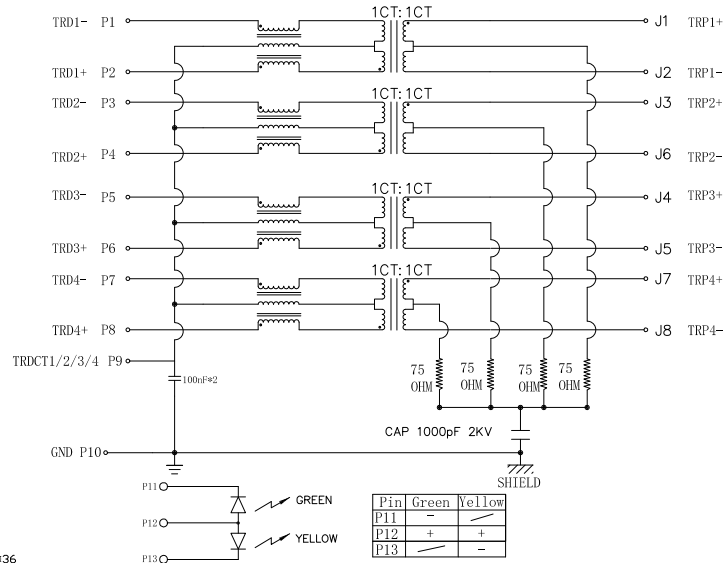
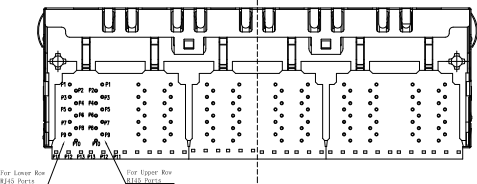
A



B



C



LED SPECIFICATION				
STANDARD LED	WAVELENGTH	Forward Current	Forward V(max)	TYP
GREEN	565nm	20 mA	2.4V	2.2V
YELLOW	590nm	20 mA	2.5V	2.1V

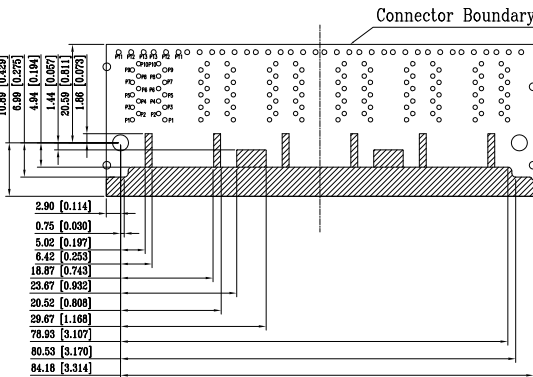
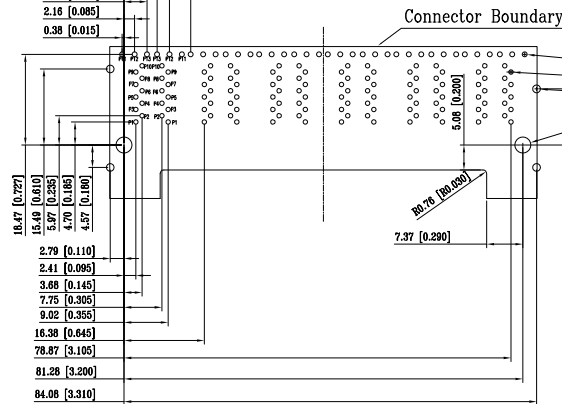
D



Electronical Specifications:

PARAMETER	SPECIFICATIONS
PARAMETER	SPECIFICATIONS
TURNS RATIO	1.00 $\pm$ 2%
POLARITY	PER SCHEMATIC
INSERTION LOSS	1 MHz TO 125 MHz
	-1.0 dB MAX
RETURN LOSS LOAD 100 OHMS	1-40 MHz
	-20 dB MIN
INDUCTANCE (OCL) (MEDIA SIDE, 0°C-70°C)	40-200 MHz
	-20+15LDG <sub>dB</sub> (f/40MHz) MIN
CROSSTALK, ADJACENT CHANNELS	180uH MIN @100KHz,0.1V
	1-125 MHz
COMMON MODE REJECTION RATIO	-30 dB TYP
	30-200 MHz
COMM. TO DIFF. REJECTION RATIO	-30 dB MIN
	10-125 MHz
INPUT - OUTPUT ISOLATION	-45+f/35dB MIN
	2250 VRMS MIN AT 60 SECONDS

E



F

Plug-in side


UNIT: mm / inch  
Tolerances:  $\pm 0.10 / 0.004$

Notes:

- CONNECTOR MATERIAL:  
HOUSING: THERMOPLASTIC BLACK UL94 V-0  
SHIELD: BRASS  
SHIELD PLATING: NICKEL  
CONTACT: PHOSPHOR BRONZE  
CONTACT PLATING: GOLD, 6 MICRO-INCHES MIN IN CONTACT AREA
- PIN NOT ELECTRICALLY CONNECTED MAYBE OMITTED SEE ELECTRICAL DRAWING FOR OMITTED PINS
- RJ45 CAVITIES CONFORM TO FCC RULES AND REGULATION PART 68.
- THE PART IS RECOMMENDED FOR WAVE SOLDERING PROCESS PEAK SOLDERING TEMPERATURE IS 260° C MAX, 10 SECS MAX
- OPERATING TEMPERATURE T=0° C TO +70° C.
- STORAGE TEMPERATURE T=-40° C TO +85° C.

PROPRIETARY NOTE:

This document contains confidential information and proprietary to Rego Electronics and shall not be reproduced or disclosed to other documents or used for any purpose other than that for which was obtained without the expressed written consent of Rego Electronics.

.X $\pm$ 0.30	APPROVED: Chris	 <a href="http://www.rego.com.tw">http://www.rego.com.tw</a>
.XX $\pm$ 0.20	CHECKED: Denny	
.XXX $\pm$ 0.15	DRAWN: Bryan	
X° $\pm$ 3°	UNITS: mm	SCALE: NONE
TITLE: RJ45 With Transformer(2.5G BASE T) 2X6 Port Connector		PART NO: KJ252616-40139-GDJ
SHEET: 1 OF 1		

A	16.7.2018
REV	DATE

1 2 3 4 5 6 7 8 9 10