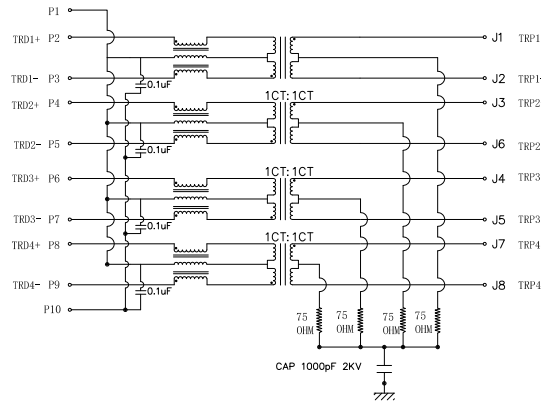
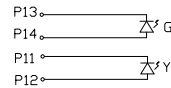


Unless otherwise specified, all dimensions tolerances is $\pm 0.254 / 0.010$.

Notes:

- CONNECTOR MATERIAL:
 - 1.1 RJ45
 - HOUSING: PBT BLACK UL94 V-0
 - SHIELD: Brass
 - CONTACT: PHOSPHOR BRONZE
 - CONTACT PLATING: SELECTIVE GOLD, 6 MICRO-INCHS MIN IN CONTACT AREA
 - 1.2 USB3.0
 - HOUSING: PBT BLUE UL94 V-0
 - SHIELD: Brass
 - SHIELD PLATING: NICKEL
 - CONTACT: PHOSPHOR BRONZE
 - CONTACT PLATING: SELECTIVE GOLD, 6 MICRO-INCHS MIN IN CONTACT AREA
- PIN NOT ELECTRICALLY CONNECTED MAYBE OMITTED SEE ELECTRICAL DRAWING FOR OMITTED PINS
- RJ45 CAVITIES CONFORM TO FCC RULES AND REGULATION PART 68.
- THE PART IS RECOMMENDED FOR WAVE SOLDERING PROCESS PEAK SOLDERING TEMPERATURE IS 260° C MAX, 10 SECS MAX
- OPERATING TEMPERATURE T=0° C TO +70° C.
- STORAGE TEMPERATURE T=-40° C TO +85° C.

Pin Yellow	Pin Green
P11 -	P13 -
P12 +	P14 +




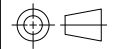
LED SPECIFICATION				
STANDARD LED	WAVELENGTH	Forward Current	Forward V(max)	TYP
GREEN	565nm	20 mA	2.4V	2.2V
YELLOW	605nm	20 mA	2.5V	2.0V

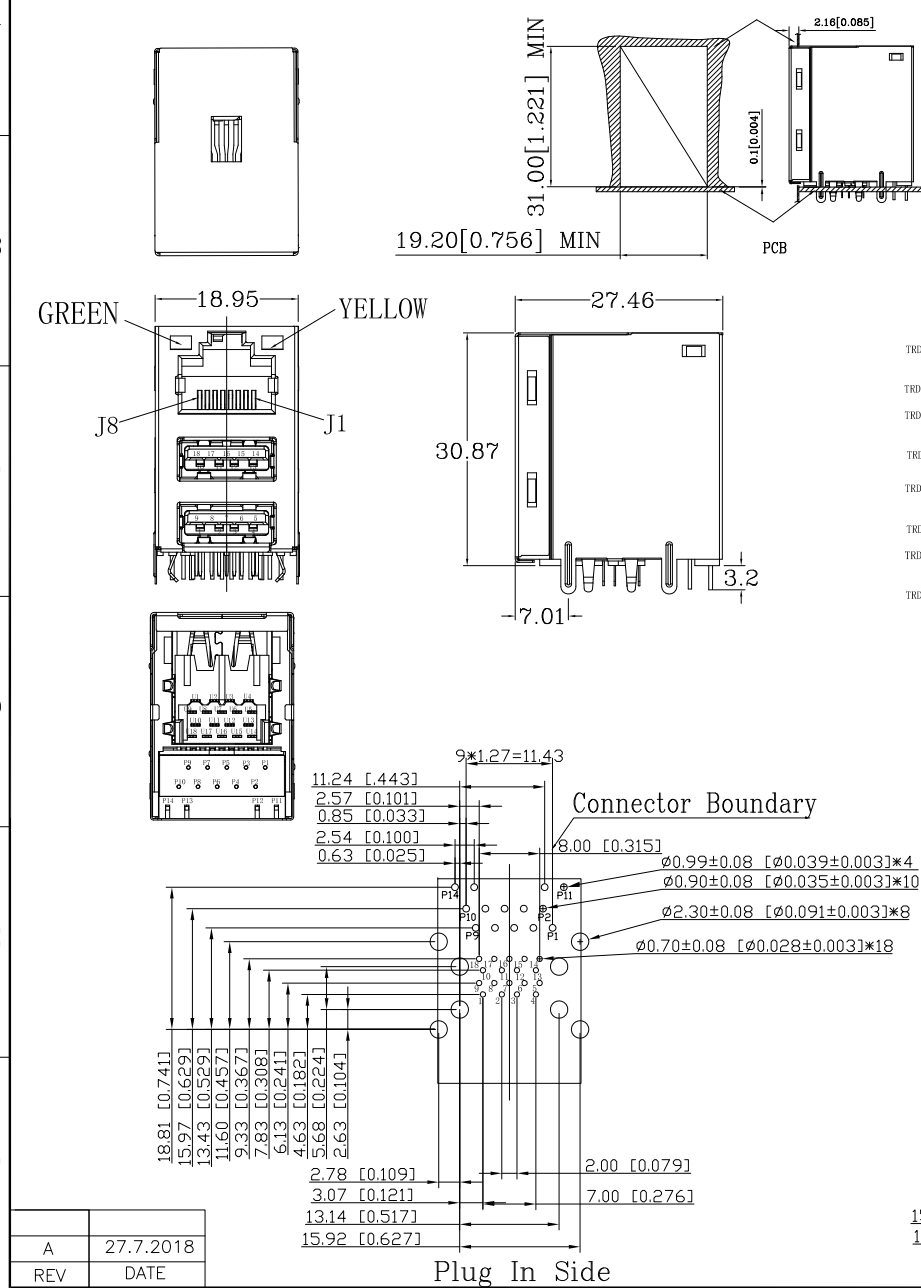
Electrical Specifications:

PARAMETER	SPECIFICATIONS
URNS RATIO	1.00 ± 2%
POLARITY	PER SCHEMATIC
INSERTION LOSS	1 MHz TO 125 MHz
	-1.0 dB MAX
RETURN LOSS LOAD 100 OHMS	1-40 MHz
	40-200 MHz
INDUCTANCE (OCL) (MEDIA SIDE, 0°C-70°C)	180uH MIN @100KHz, 0.1V
CROSSTALK, ADJACENT CHANNELS	1-125 MHz
	-30 dB TYP
COMMON MODE REJECTION RATIO	30-200 MHz
	-30 dB MIN
INPUT - OUTPUT ISOLATION	1500 VRMS MIN AT 60 SECONDS

PROPRIETARY NOTE:

This document contains confidential information and proprietary to Rego Electronics and shall not be reproduced or disclosed to other documents or used for any purpose other than that for which was obtained without the expressed written consent of Rego Electronics.

.X ± 0.30	APPROVED: Chris	 http://www.rego.com.tw	
.XX ± 0.20	CHECKED: Denny		
.XXX ± 0.15	DRAWN: Bryan		
X° ± 3°		TITLE: Single RJ45 With Transformer(2.5G BASE T)+Dual USB(3.0) 3X1 Port Connector	
	UNITS: mm	SCALE: NONE	PART NO: KJ2518D-271
			SHEET: 1 OF 1



A	27.7.2018
REV	DATE