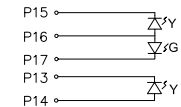
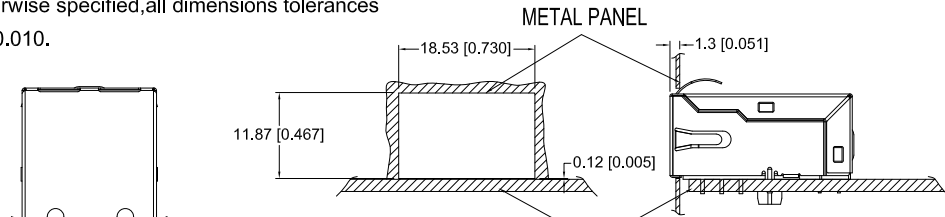


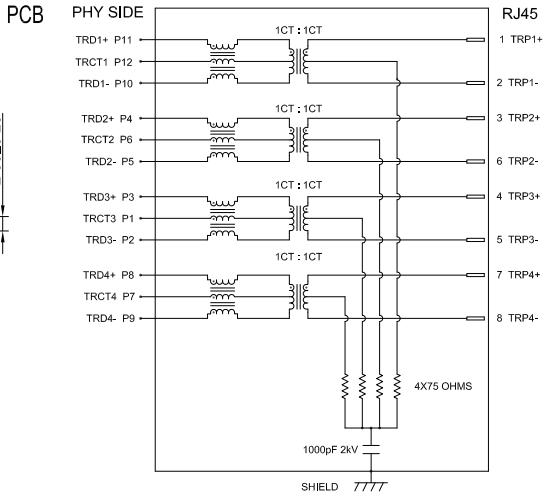
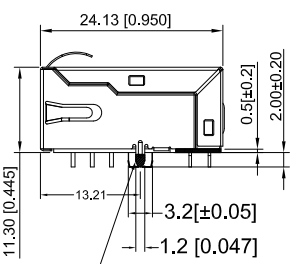
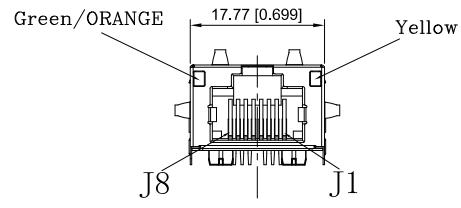
UNIT : mm / inch  
 Unless otherwise specified, all dimensions tolerances  
 is  $\pm 0.254 / 0.010$ .



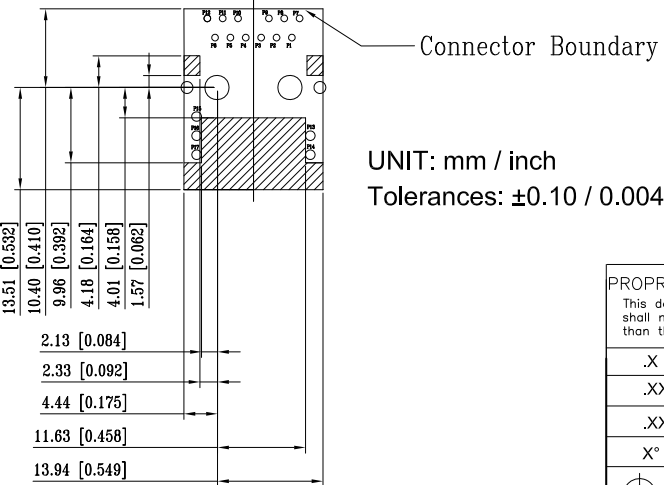
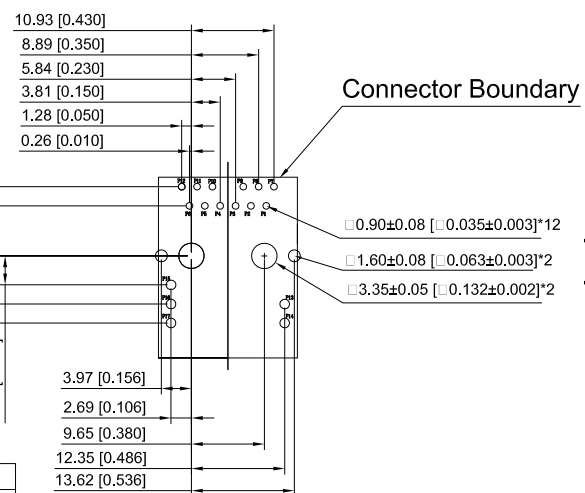
Pin	Yellow	Orange	Green
P13	-	P15 -	+
P14	+	P16 +	-
		P17	-

Notes:

- CONNECTOR MATERIAL:  
 HOUSING: PA66 UL 94V-0, BLACK  
 SHIELD: Brass  
 SHIELD PLATING: NICKEL  
 CONTACT: PHOSPHOR BRONZE  
 CONTACT PLATING: SELECTIVE GOLD, 30 MICRO-INCHS MIN IN CONTACT AREA
- PIN NOT ELECTRICALLY CONNECTED MAYBE OMITTED SEE ELECTRICAL DRAWING FOR OMITTED PINS
- RJ45 CAVITIES CONFORM TO FCC RULES AND REGULATION PART 68.
- THE PART IS RECOMMENDED FOR IR REFLOW PROCESS PEAK SOLDERING TEMPERATURE IS 260° C MAX, 10 SECS MAX
- OPERATING TEMPERATURE T = -40°C TO +85°C.
- STORAGE TEMPERATURE T = -40°C TO +85°C.



LED SPECIFICATION				
STANDARD LED	WAVELENGTH	Forward Current	Forward V(max)	TYP
GREEN	565nm	20 mA	2.4V	2.2V
ORANGE	610nm	20 mA	2.5V	2.1V
Yellow	590nm	20 mA	2.5V	2.1V



UNIT: mm / inch  
 Tolerances:  $\pm 0.10 / 0.004$

ELECTRICAL SPECIFICATIONS :

PARAMETER	SPECIFICATIONS	
URNS RATIO	1.00 $\pm$ 2%	
POLARITY	PER SCHEMATIC	
INSERTION LOSS	1 MHZ TO 125 MHZ	
	-1.0 dB MAX	
RETURN LOSS LOAD 100 OHMS	1-40 MHz	40-200 MHz
	-20 dB MIN	-20+15LOG <sub>10</sub> (f/40MHz) MIN
INDUCTANCE (OCL) (MEDIA SIDE, 0 to -70°C)	180uH MIN @100KHz, 0.1V	
CROSSTALK, ADJACENT CHANNELS	1-125 MHz	
	-30 dB TYP	
COMMON MODE REJECTION RATIO	30-200 MHz	
	-30 dB MIN	
INPUT-OUTPUT ISOLATION	1500 VRMS MIN AT 60 SECONDS	

PROPRIETARY NOTE:

This document contains confidential information and proprietary to Rego Electronics and shall not be reproduced or disclosed to other documents or used for any purpose other than that for which was obtained without the expressed written consent of Rego Electronics.

.X $\pm$ 0.30	APPROVED: Chris	 <a href="http://www.rego.com.tw">http://www.rego.com.tw</a>
.XX $\pm$ 0.20	CHECKED: Denny	
.XXX $\pm$ 0.15	DRAWN: Bryan	
X° $\pm$ 3'		TITLE: RJ45 With Transformer(2.5G BASE T) Tab Up & Low Profile Single Port Connector
 UNITS: mm SCALE: NONE		PART NO: KJ2518D-262
		SHEET: 1 OF 1

REV	DATE
A	27.7.2018

Plug In Side

Plug In Side