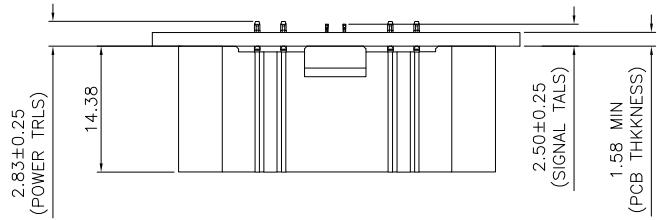
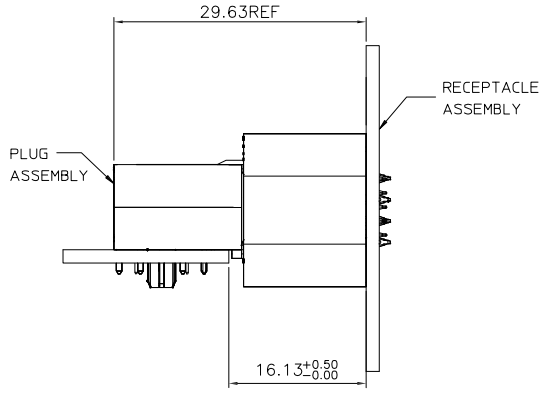
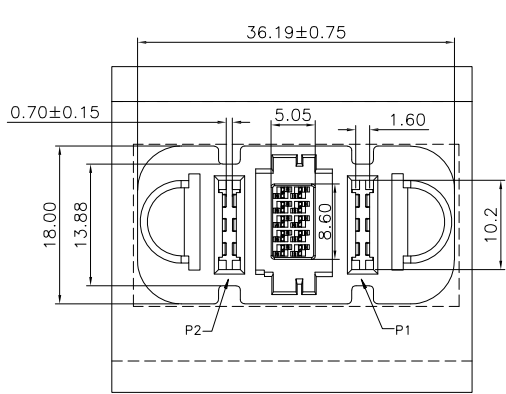


1 2 3 4 5 6 7 8 9 10

A

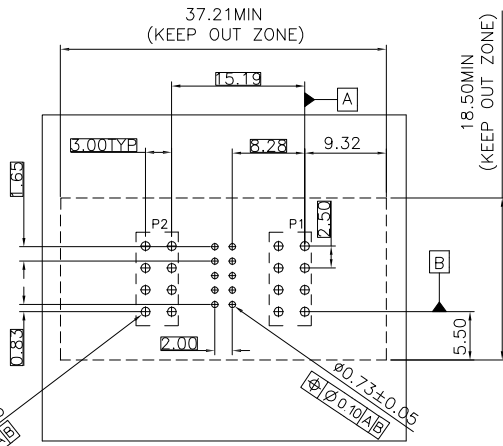


B



C

D



P.C.Board Layout
(Tolerance: ±0.05)

Material and Plating:

Housing: LCP, 30% Glass Filled, UL94V-0, BLACK.
 Power Contacts: High Conductivity Copper.
 30u" Au+Pd/Ni on Contact Area and 80u" Min Matted Tin Plated on Solder Tail over Nickel 50u" Min.
 Signal Contact: Phosphor Bronze.
 30u" Au+Pd/Ni on Contact Area and 80u" Min Matted Tin Plated on Solder Tail over Nickel 50u" Min.

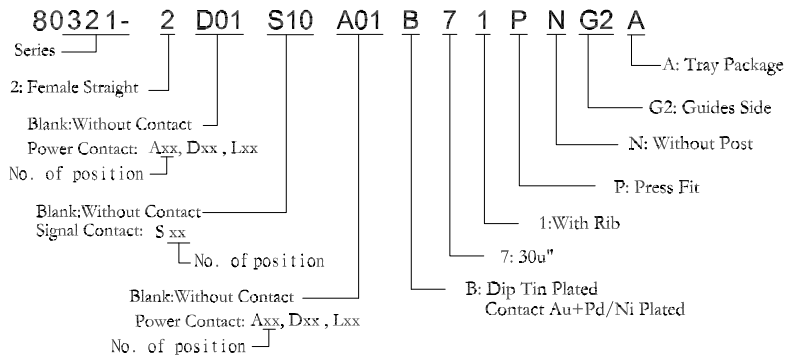
Electrical Characteristics:

Current Rating: Signal Pin 2.5 AMP.
 Power Pin 60 AMP.
 Dielectric Withstanding Voltage: DC 1000V For 1 minute.
 Insulator Resistance: 5000MΩ min.
 Contact Resistance: Signal Pin 10mΩ max.
 Power Pin 0.3mΩ max.
 Operating Temperature: -40°C ~ +105°C


***RoHS Compliant**

Notes :

- L: Low Power---PCB Mount 3.0mm Pitch
- D: DC Power---PCB Mount 5.5mm Pitch
- A: AC Power---PCB Mount 7.5mm Pitch



PROPRIETARY NOTE:
 This document contains confidential information and proprietary to Rego Electronics and shall not be reproduced or disclosed to other documents or used for any purpose other than that for which was obtained without the expressed written consent of Rego Electronics.

.X ± 0.30	APPROVED: Chris	 http://www.rego.com.tw
.XX ± 0.20	CHECKED: Denny	
.XXX ± 0.15	DRAWN: Bryan	
X* ± 3'	UNITS: mm	SCALE: NONE
PART NO: 80321-2D01S10A01B71PNG2A		SHEET: 1 OF 1

A	24.7.2017
REV	DATE

1 2 3 4 5 6 7 8 9 10