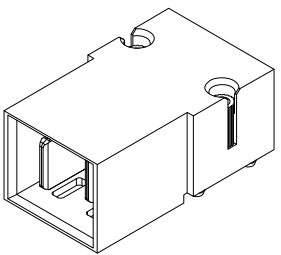
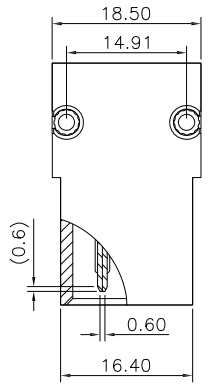


1 2 3 4 5 6 7 8 9 10

A
B
C
D
E
F

A
B
C
D
E
F

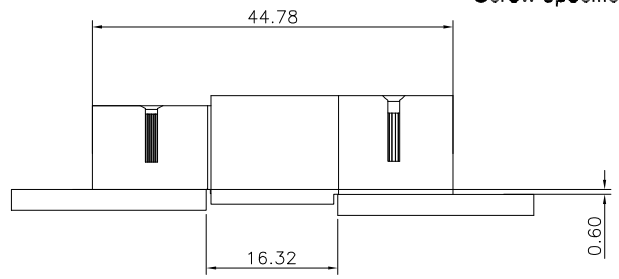
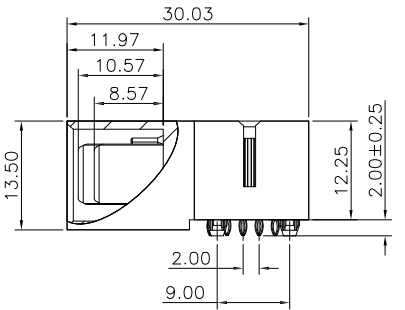
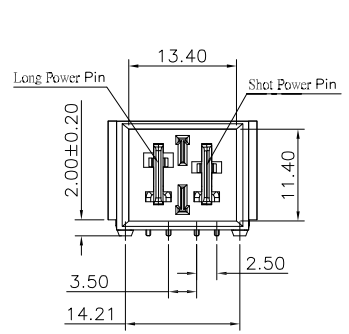


Material and Plating:
 Housing: LCP, UL94V-0, BLACK.
 Power Contacts: High Conductivity Copper,
 30u"Au+Pd/Ni on Contact Area and 80u"Min
 Tin Plated on Solder Tail over nickel 50u"Min.

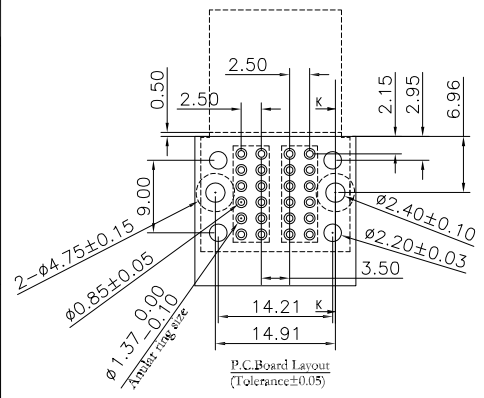
Electrical Characteristics:
 Current Rating: Power Pin 65 AMP.
 Dielectric Withstanding Voltage: AC 1500V For 1 minute.
 Insulator Resistance: 1500MΩ min. at DC 500V.
 Contact Resistance: Power Pin :4.5mΩ Max initial, After testing 5mΩ Max.
 Operating Temperature: -40°C ~+85°C.

***RoHS Compliant**

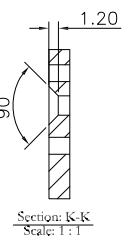
Notes:
 Durability: 200 cycles Max.
 Screw specification: GB819-85_M2X10, Shipment quantity: 3PCS.



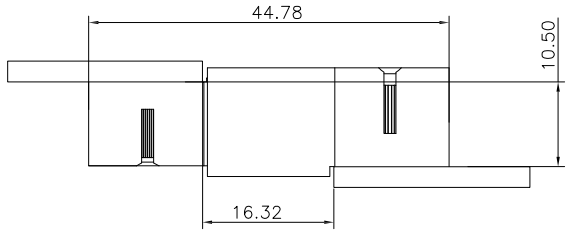
器件正插圖



P.C. Board Layout
(Tolerance±0.05)



Section: K-K
Scale: 1:1




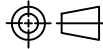
器件反插圖

80321- 1 P02 B 7 P P A

Series _____
 1: Male Right-angle
 P: Power Contact
 6.00mm Pitch
 B: Dip Tin Plated
 Contact Au+Pd/Ni Plated

A: Tray Package
 P: With Post
 N: W/O Post
 P: Press Fit Type
 30: 30u"

PROPRIETARY NOTE:
 This document contains confidential information and proprietary to Rego Electronics and shall not be reproduced or disclosed to other documents or used for any purpose other than that for which was obtained without the expressed written consent of Rego Electronics.

.X ± 0.30	APPROVED: Chris	 http://www.rego.com.tw
.XX ± 0.20	CHECKED: Denny	
.XXX ± 0.15	DRAWN: Bryan	
X* ± 3'		TITLE: P50 Power Connector 2P Right Angle Plug
	UNITS: mm	SCALE: NONE
		PART NO: 80322-1P02B7PPA
		SHEET: 1 OF 1

A	24.7.2017
REV	DATE

1 2 3 4 5 6 7 8 9 10