

NOTES:  
 1.MATERIAL:  
 HOUSING:LCP UL94 V-0 COLOR:BLACK  
 SHELL:STAINLESS STEEL  
 CONTACT:C2680  
 2.FINISH:  
 CONTACT:GOLD PLATING ON CONTACT AREA  
 100u" MIN. MATT TIN PLATING ON SOLDER TAILS  
 50u" MIN. NICKEL UNDERPLATING OVER ALL  
 SHELL: 50u" MIN.NICKEL UNDERPLATING OVERALL


PIN DEFINITION

PIN	SIGNAL NAME
1	ML_LANE 0(p)
2	GND
3	ML_LANE 0(n)
4	ML_LANE 1(p)
5	GND
6	ML_LANE 1(n)
7	ML_LANE 2(p)
8	GND
9	ML_LANE 2(n)
10	ML_LANE 3(p)
11	GND
12	ML_LANE 3(n)
13	GND
14	GND
15	AUX CH (p)
16	GND
17	AUX CH (n)
18	Hot Plug Detect
19	Return
20	DP_PWR

30μ"	845-015-206CRLN
15μ"	845-015-205CRLN
G/F	845-015-207CRLN
PLATING	PART NUMBER

RECOMMEND P.C.BOARD LAYOUT T=1.60mm  
 PCB TOLERANCE:±0.05

PROPRIETARY NOTE:  
 This document contains confidential information and proprietary to Rego Electronics and shall not be reproduced or disclosed to other documents or used for any purpose other than that for which was obtained without the expressed written consent of Rego Electronics.

.X ± 0.30	APPROVED: Chris	 <a href="http://www.rego.com.tw">http://www.rego.com.tw</a>
.XX ± 0.20	CHECKED: Denny	
.XXX ± 0.15	DRAWN: Bryan	
X* ± 3'		
UNITS: mm	SCALE: NONE	TITLE: Display Port Reverse & Mid-plane PTH Type, PCB Mount connector (Offset CH= -1.20mm)
		PART NO: 845-015-206CRLN
		SHEET: 1 OF 2

A	22.5.2017
REV	DATE

1 2 3 4 5 6 7 8 9 10

A

AROUND THE OUTER PERIPHERY IN A TURE.  
WEEDING THE COVER TAPE.

PELLING ANGLE:  $165^{\circ}X \sim 180^{\circ}X$

PULL OUT DIRECTION

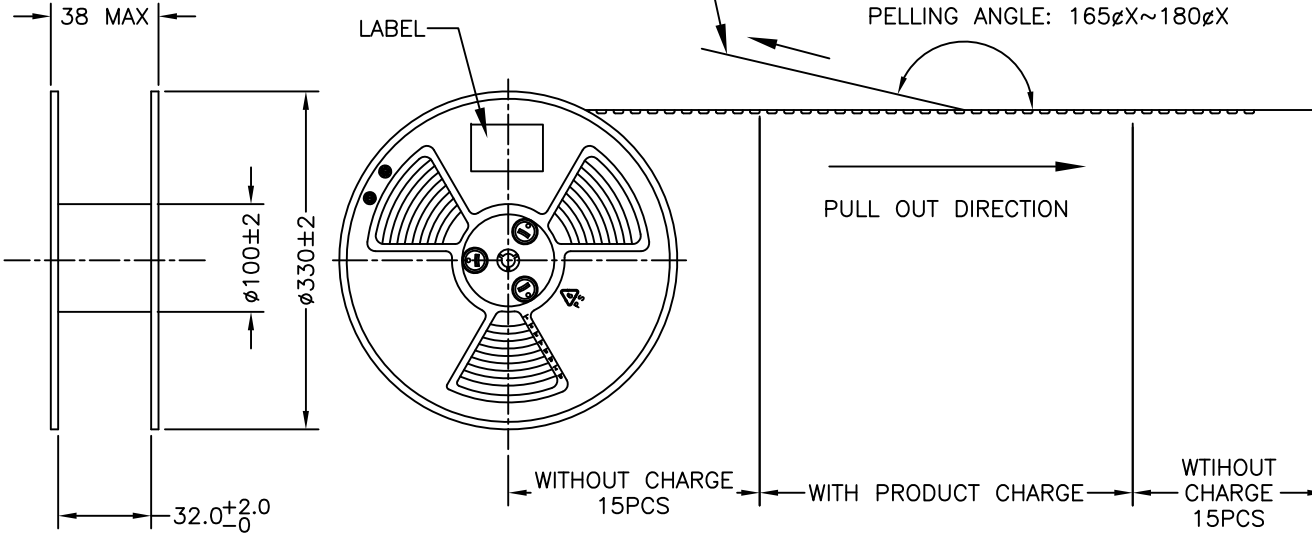
LABEL

NOTE:

1. PEELING SPEED: 300mm/MINUTE
2. PEELING RESISTANCE: 20g~130g
3. PEELING ANGLE:  $165^{\circ} \sim 180^{\circ}$
4. DIMENSION:  
INNER CARTON:  
L=350, W=350, H=280
5. QUANTITY:  
300 PCS/REEL  
7 PCS REEL/SHIPPING CARTON  
2100 PCS/SHIPPING CARTON

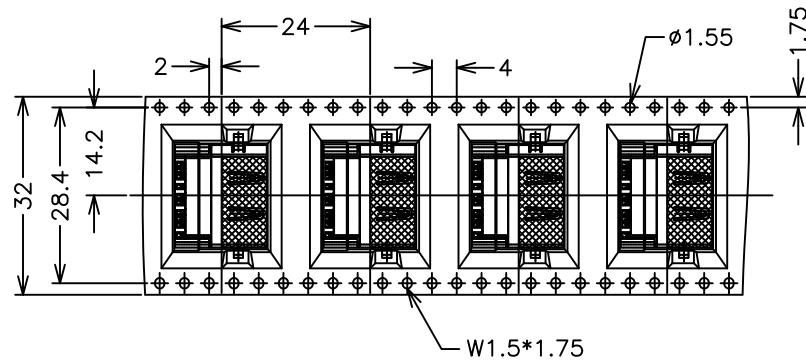
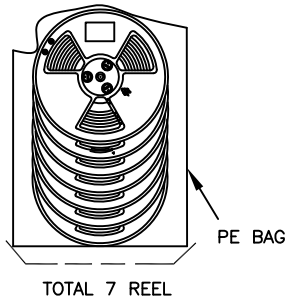
A

B



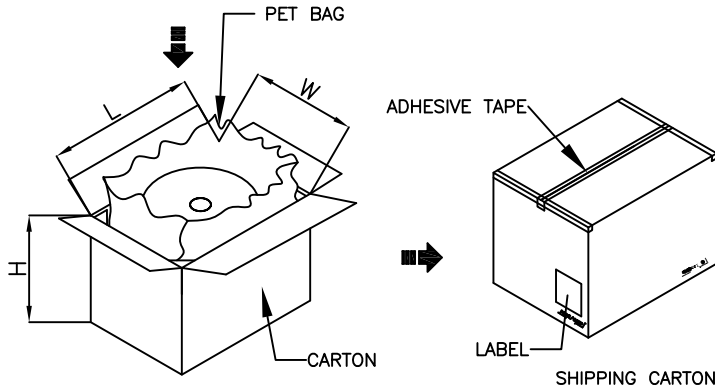
B

C



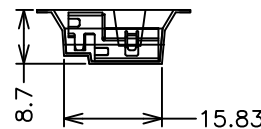
C

D




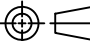
D

E



E

F

PROPRIETARY NOTE: This document contains confidential information and proprietary to Rego Electronics and shall not be reproduced or disclosed to other documents or used for any purpose other than that for which was obtained without the expressed written consent of Rego Electronics.		
.X ± 0.30	APPROVED: Chris	 <a href="http://www.rego.com.tw">http://www.rego.com.tw</a>
.XX ± 0.20	CHECKED: Denny	
.XXX ± 0.15	DRAWN: Bryan	
X* ± 3'		
	UNITS: mm	SCALE: NONE
TITLE: Display Port Reverse & Mid-plane PTH Type PCB Mount connector (Offset CH= -1.20mm)		PART NO: 845-015-206CRLN
SHEET: 2		OF 2

F

A	22.5.2017
REV	DATE

1 2 3 4 5 6 7 8 9 10