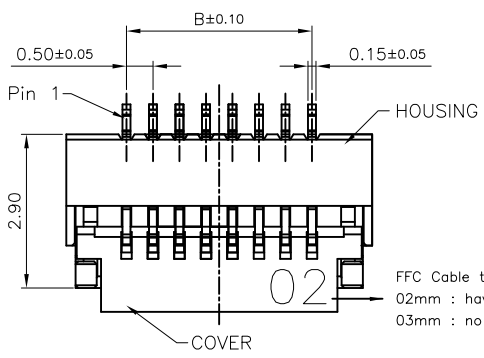
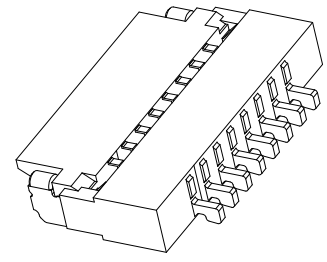
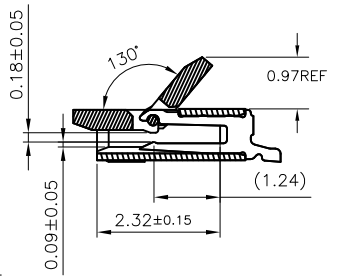


1 2 3 4 5 6 7 8 9 10

A



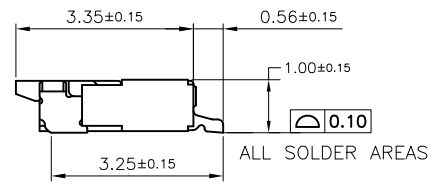
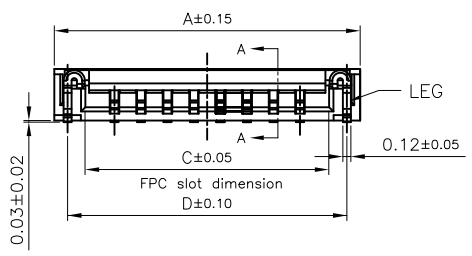
FFC Cable thickness
02mm : have 02 logo-
03mm : no 03 logo-



NOTES:

- MATERIAL:
HOUSING: HIGHT-TEMP PLASTIC,UL 94-V0,COLOR:Natural;
COVER: HIGHT-TEMP PLASTIC,UL 94-V0,COLOR:Black;
CONTACT: Phosphor Bronze.
LEG:Brass.
- PLATING:
CONTACT: GOLD FLASH.
LEG: TIN PLATED ON NICKEL OVERALL.
- RATING:
CURRENT RATING: 0.4A AC/DC
VOLTAGE RATING: 50V AC/DC
TEMPERATURE RANGE: -55°C~+85°C;
- PART NO:

B

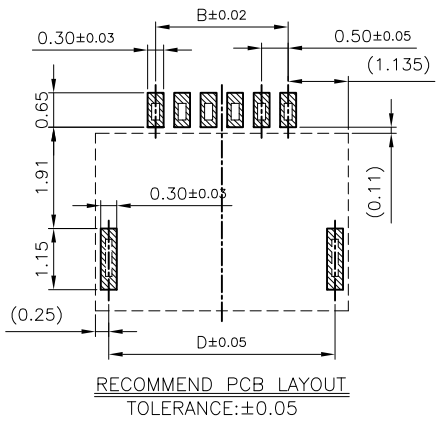
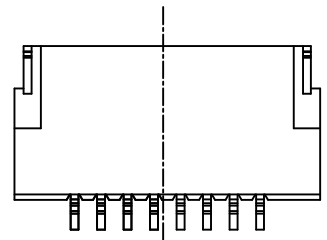


■ PART NO.

697-FPC05PSN-H10-xx G x R L

- L: Low Pb
- R: Tape & Reel
- 1: 0.2 t FPC/FFC Cable
- 2: 0.3 t FPC/FFC Cable
- PLATING
- G : Gold flash
- No. Of Contacts 04 ~ 42 See chart
- Series

C

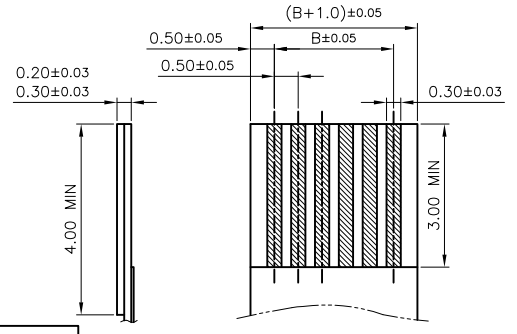


★ Available Number of Contacts

PIN NO.	DIM. A	DIM. B	DIM. C	DIM. D
★ 04	3.77	1.50	2.60	3.27
★ 05	4.27	2.00	3.10	3.77
★ 06	4.77	2.50	3.60	4.27
07	5.27	3.00	4.10	4.77
★ 08	5.77	3.50	4.60	5.27
★ 09	6.27	4.00	5.10	5.77
★ 10	6.77	4.50	5.60	6.27
11	7.27	5.00	6.10	6.77
★ 12	7.77	5.50	6.60	7.27
★ 13	8.27	6.00	7.10	7.77
★ 14	8.77	6.50	7.60	8.27
★ 15	9.27	7.00	8.10	8.77
★ 16	9.77	7.50	8.60	9.27
17	10.27	8.00	9.10	9.77
★ 18	10.77	8.50	9.60	10.27
19	11.27	9.00	10.10	10.77
★ 20	11.77	9.50	10.60	11.27
21	12.27	10.00	11.10	11.77
★ 22	12.77	10.50	11.60	12.27
23	13.27	11.50	12.10	12.77
★ 24	13.77	11.50	12.60	13.27
25	14.27	12.00	13.10	13.77
★ 26	14.77	12.50	13.60	14.27
★ 27	15.27	13.00	14.10	14.77
★ 28	15.77	13.50	14.60	15.27
★ 29	16.27	14.00	15.10	15.77
★ 30	16.77	14.50	15.60	16.27

PIN NO.	DIM. A	DIM. B	DIM. C	DIM. D
31	17.27	15.00	16.10	16.77
★ 32	17.77	15.50	16.60	17.27
★ 33	18.27	16.00	17.10	17.77
★ 34	18.77	16.50	17.60	18.27
35	19.27	17.00	18.10	18.77
★ 36	19.77	17.50	18.60	19.27
★ 37	20.27	18.00	19.10	19.77
38	20.77	18.50	19.60	20.27
39	21.27	19.00	20.10	20.77
★ 40	21.77	19.50	20.60	21.27
42	22.77	20.50	21.60	22.27


E



Applicable FPC

PROPRIETARY NOTE:

This document contains confidential information and proprietary to Rego Electronics and shall not be reproduced or disclosed to other documents or used for any purpose other than that for which was obtained without the expressed written consent of Rego Electronics.

.X ±0.30	APPROVED: Chris	 http://www.rego.com.tw
.XX ±0.20	CHECKED: Denny	
.XXX±0.15	DRAWN: Bryan	
X' ± 3'	UNITS: mm	SCALE: NONE
TITLE: 0.5mm FPC FFC Front lock cover 1.0h_Lower contact connector		PART NO: 697-FPC05PSN-H10-xxGxRL
SHEET: 1 OF 1		

A	22.5.2017
REV	DATE

1 2 3 4 5 6 7 8 9 10

A

B

C

D

E

F